

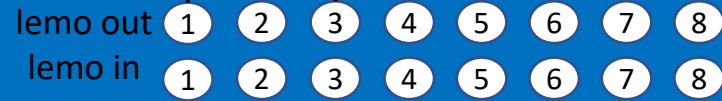
Network from SC05

Node 1 „left-side rack“

Optical fiber connection with RA-8

FIFO out 14

FIFO out 15



DOFI RA-22

30,31,32,33

QSFP – Optical Fiber

VME NAME:R3B SOFIA2

MVLC-0100

VULOM4C-17745

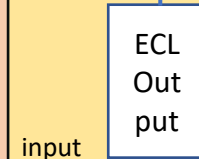
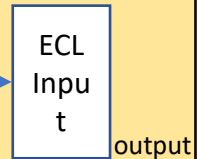
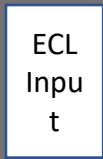
ENV3-17426

ENV3-17424

VFTX2-11061

VETAR2A-vmel012t

V730 O-E converter



ch1
ch2

ch1 -inp -optical cable
ch2 -inp -optical cable
ch3 -inp -optical cable
ch4 -inp -optical cable
ch5 -inp -optical cable
ch6 -inp -optical cable

Optical cable to V720 E-O

network

CLK in

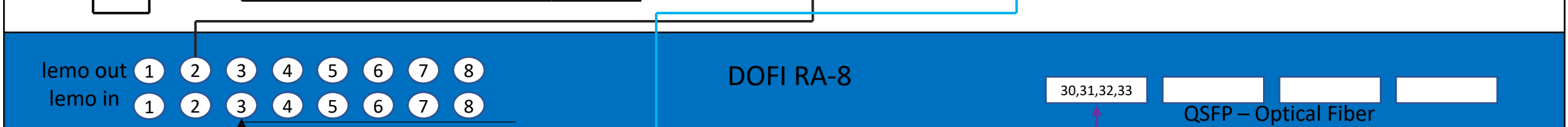
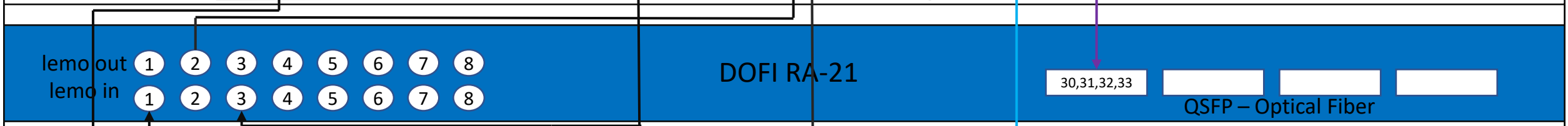
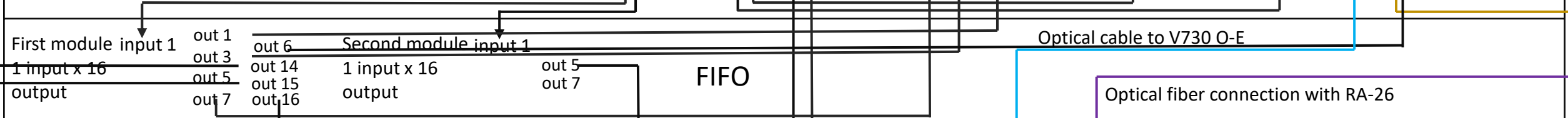
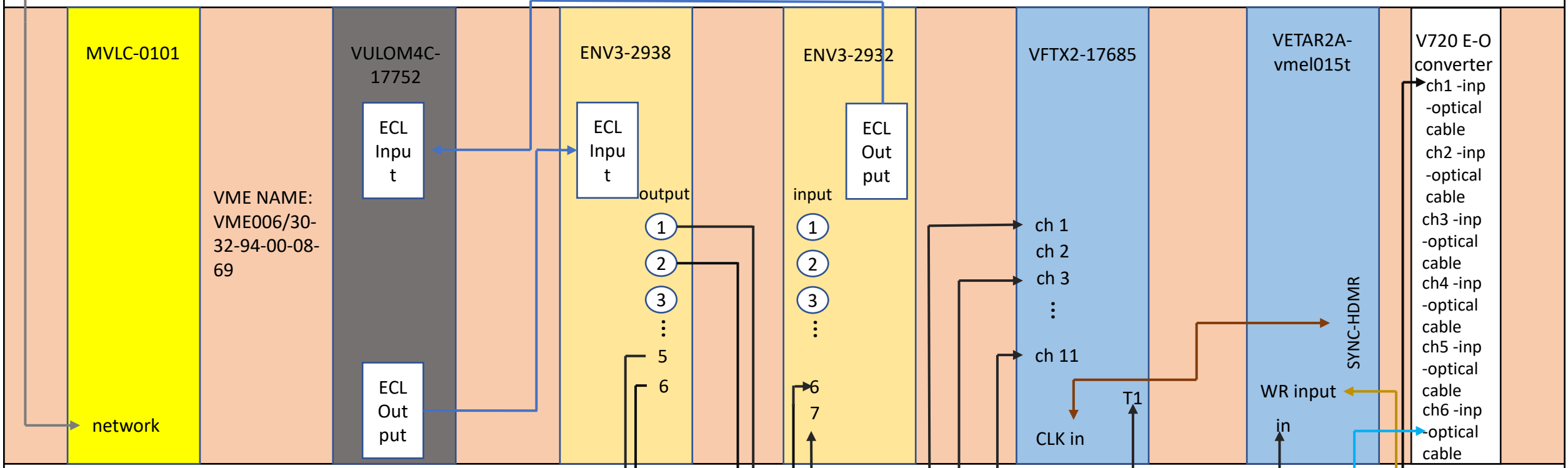
WR input in

SYNC-HDMR

T1

Network to SC05

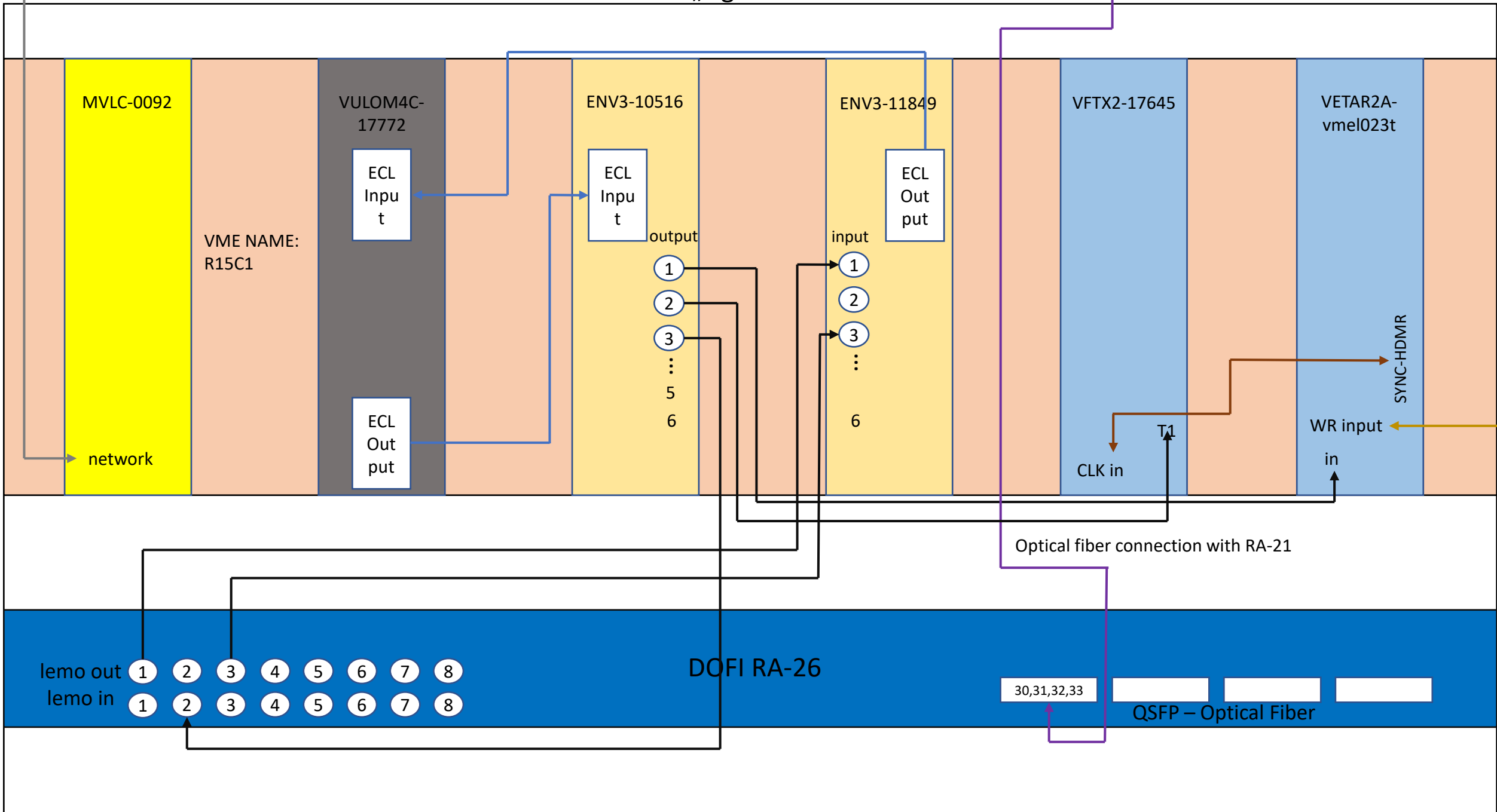
Node 0 „middle rack“



Optical fiber connection with RA-22

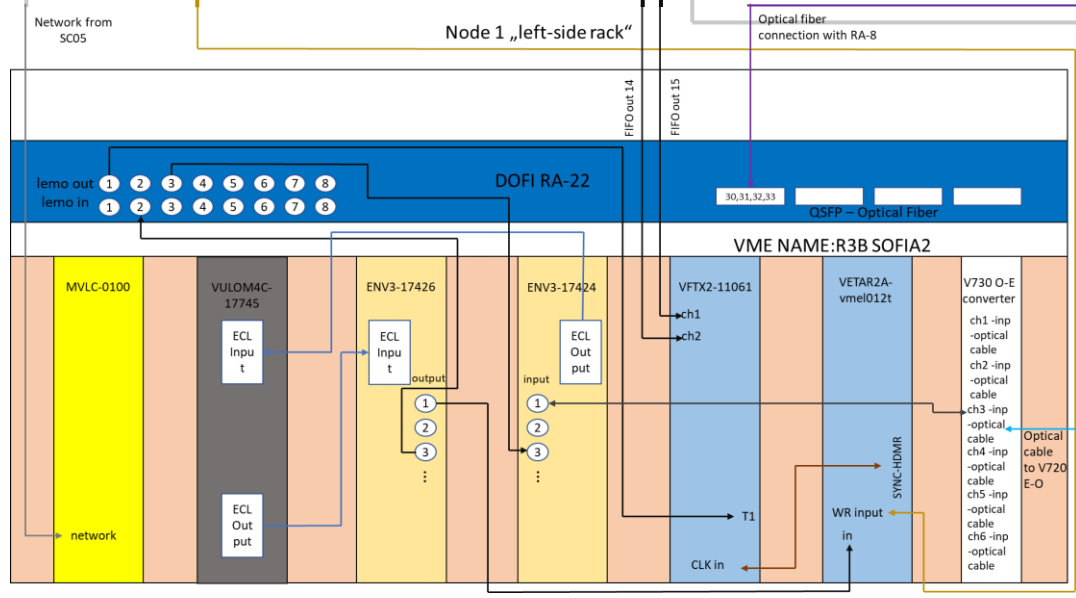
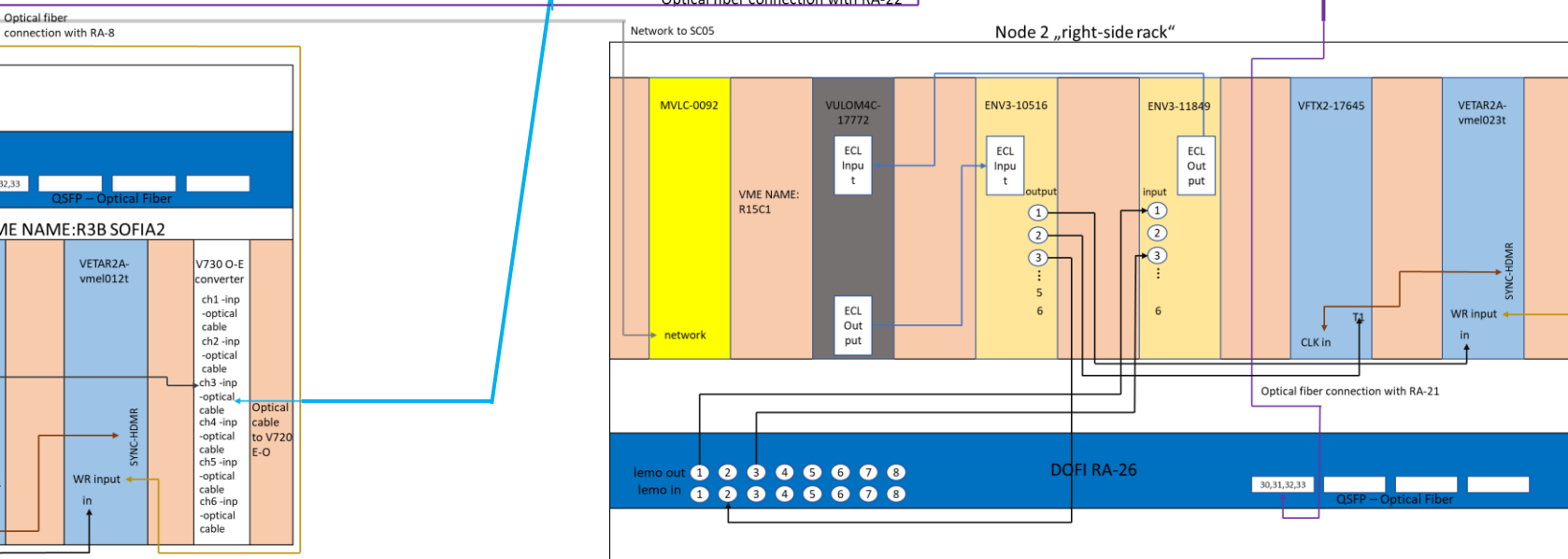
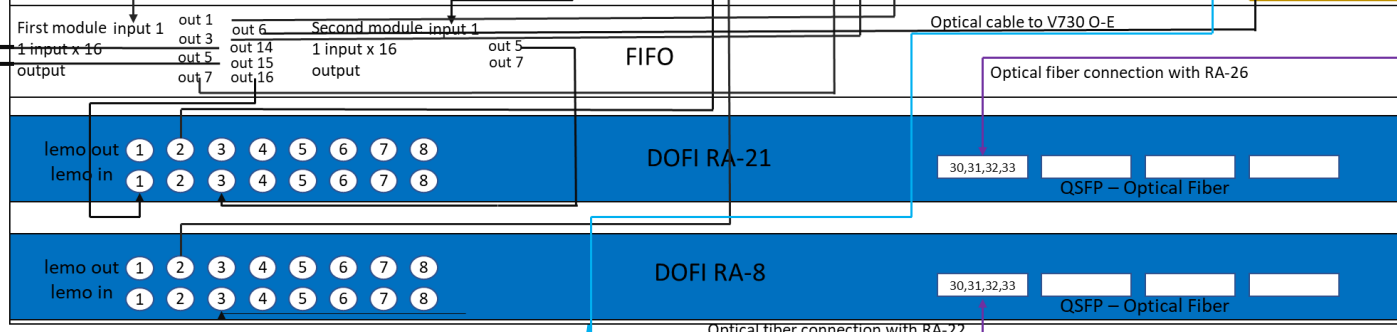
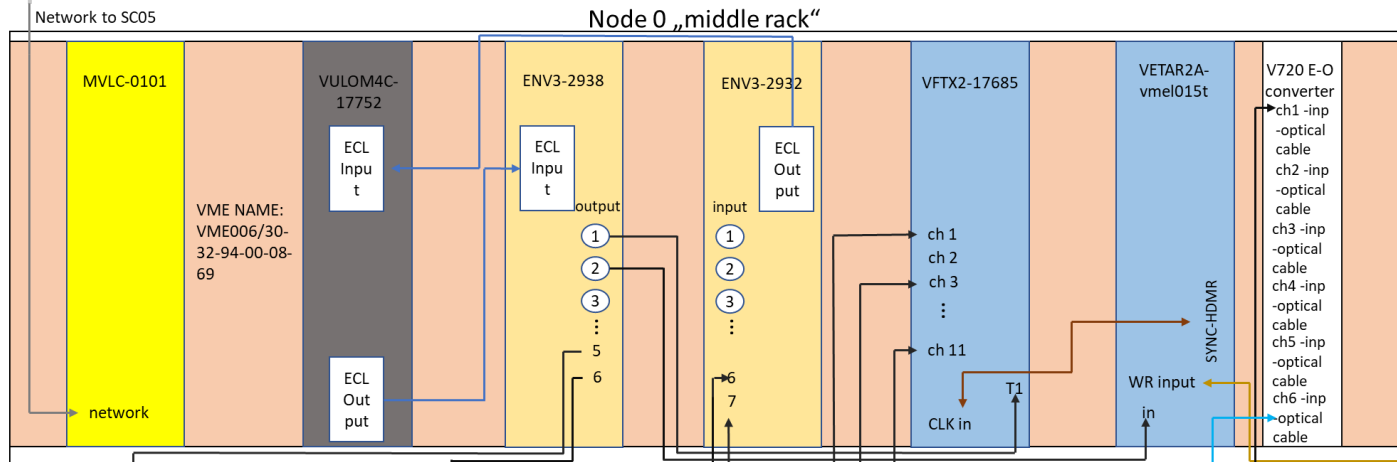
Network to SC05

Node 2 „right-side rack“



r3b net SC05

WR



Equipment

- 3x VME bin; R3B SOFIA2, VME006/30-32-94-00-08-69, R15C1
- 3x MVLC; MVLC-0100, MVLC-0101, MVLC-0092
- 3x VULOM4C; VULOM4C-17745, VULOM4C-17752, VULOM4C-17772
- 3x VETAR2A; VETAR2A-vmel012t, VETAR2A-vmel015t, VETAR2A-vmel023t
- 2x VFTX2; VFTX2-11061, VFTX2-17685; VFTX2-17645
- 6x ENV3
- 4x DOFI; RA-8, RA-21, RA-22, RA-26
- 4x QSFP

NOTES:

- All MVLCs are connected to the R3B network.
- All DOFIs are connected to the MBS network.
- All VETARs are connected to WR.
- Number written after „-“ was read from the white label attached to the module.