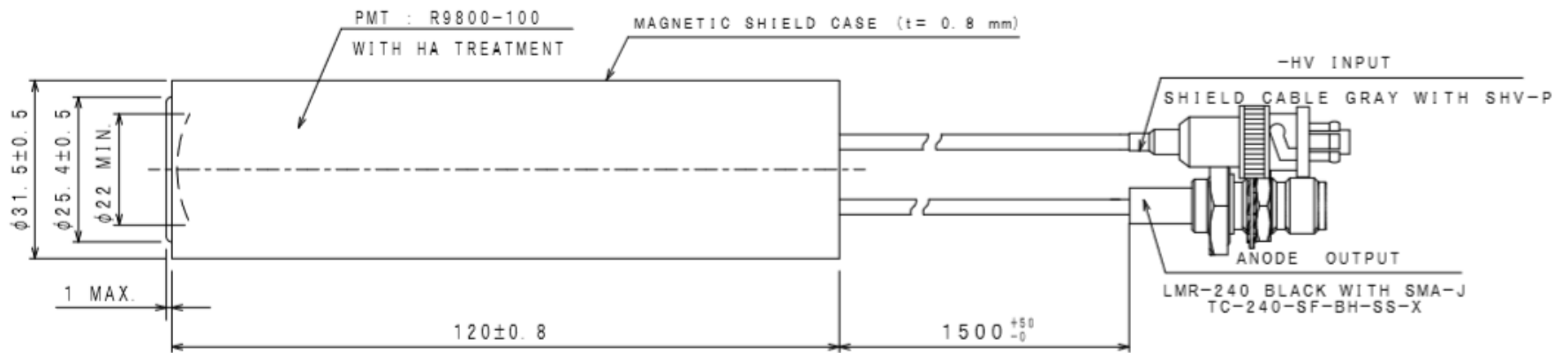
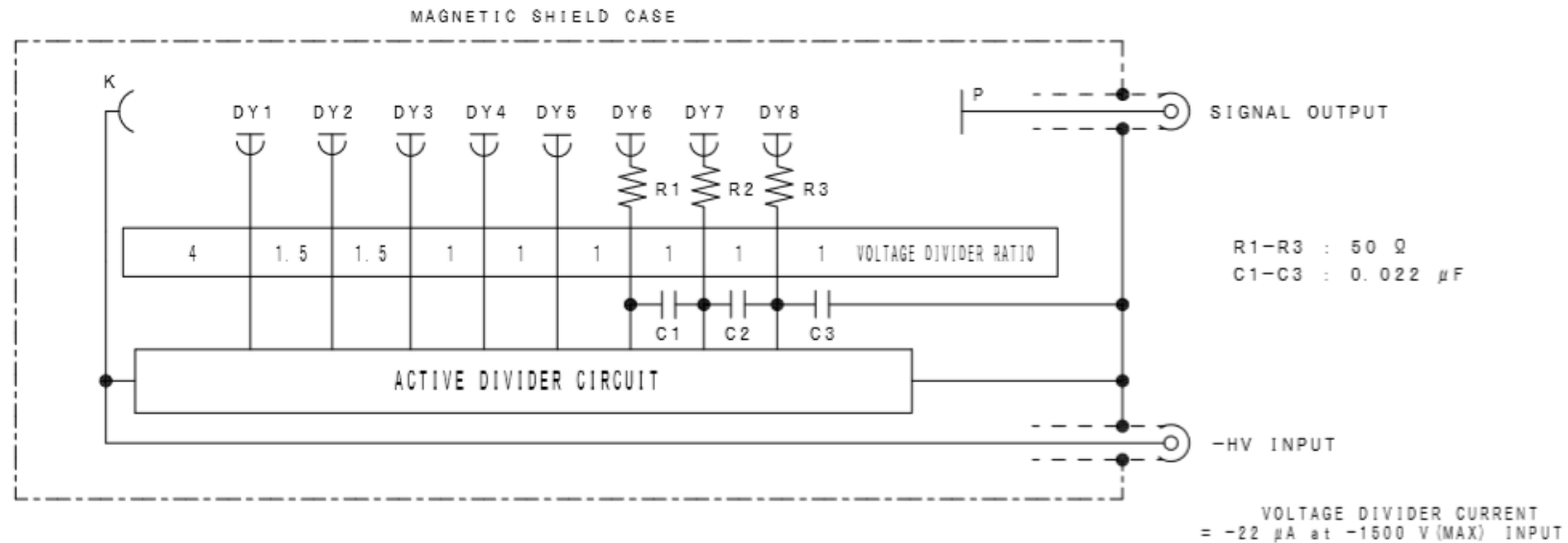


**This information is furnished for your information only.
No warranty, expressed or implied, is created by furnishing this information.**



UNIT : mm

H10580-100-Y003

DIMENSIONAL OUTLINE AND VOLTAGE DIVIDER CIRCUIT

DATE : 17. May. 2019
Ref. #10580-190517

HAMAMATSU
PHOTON IS OUR BUSINESS