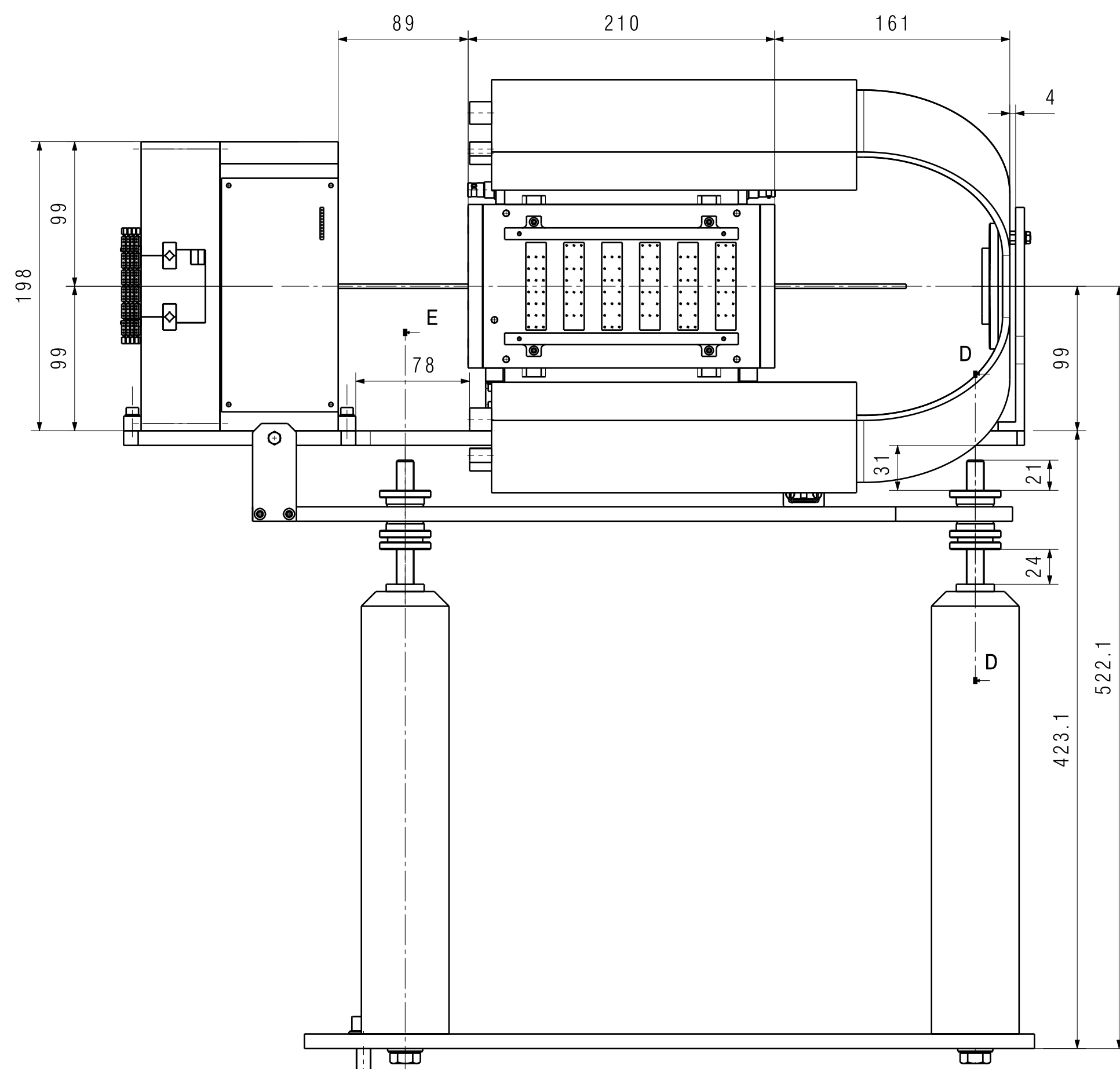
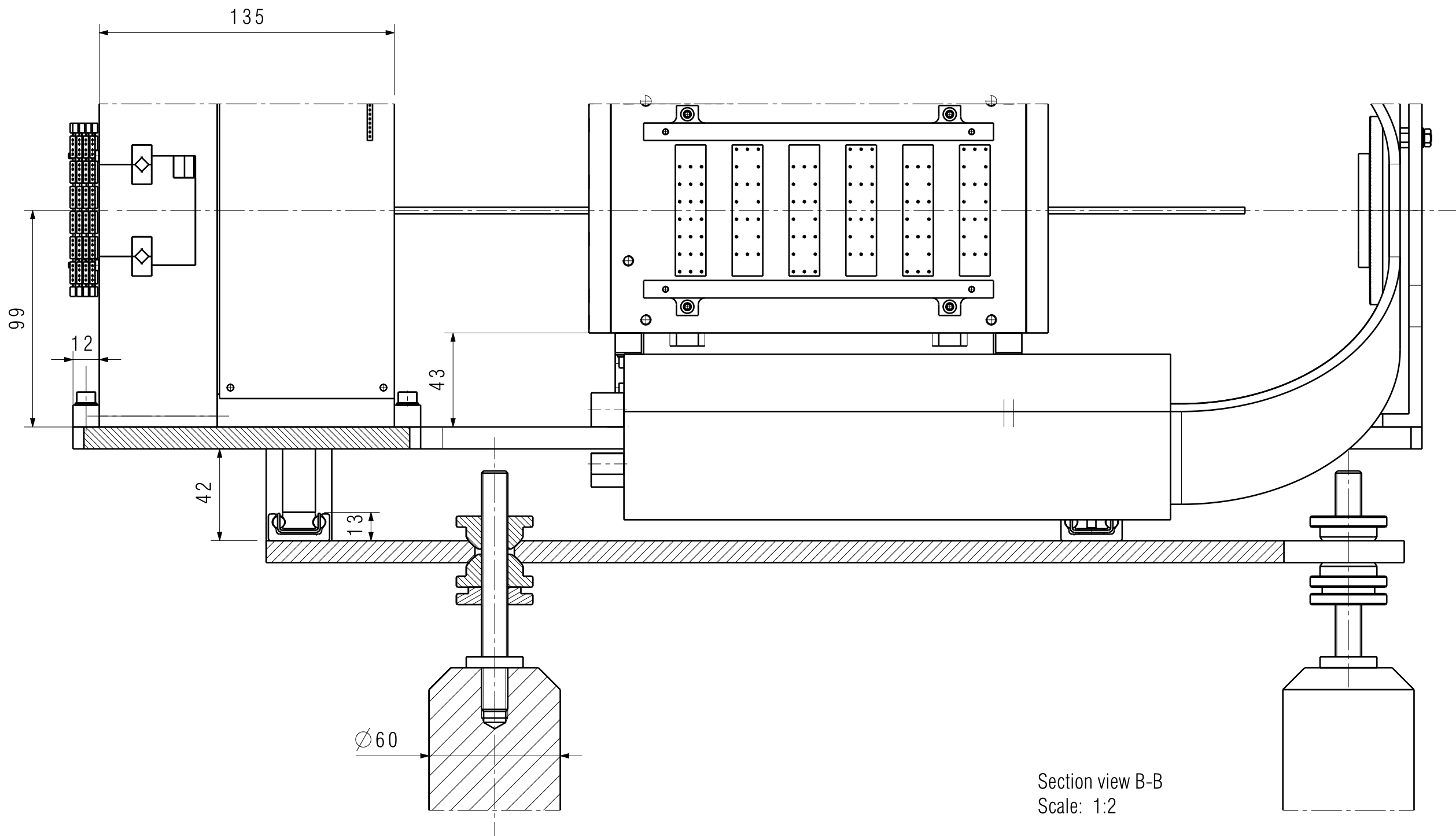


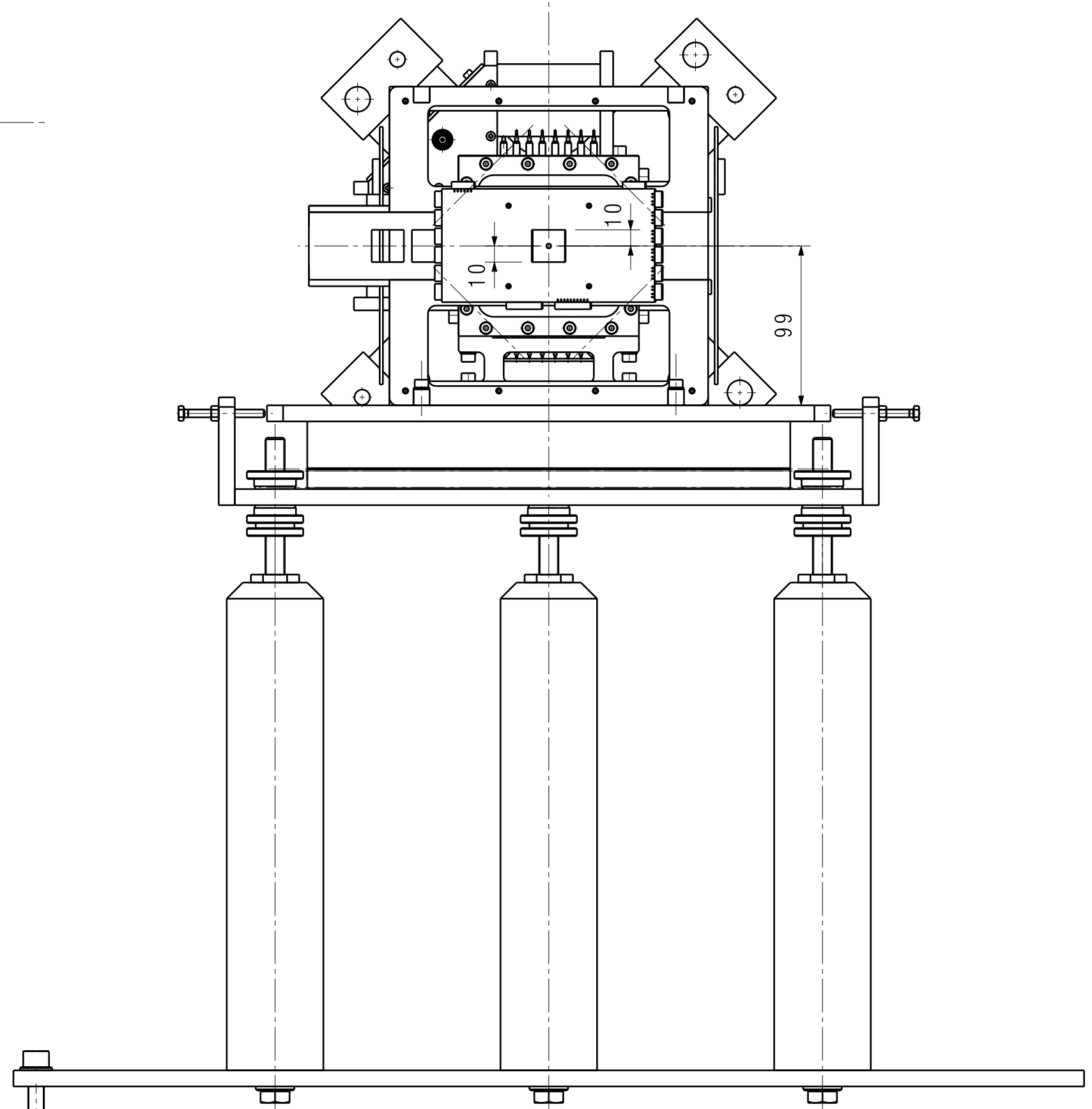
Auxiliary view A
Scale: 1:3



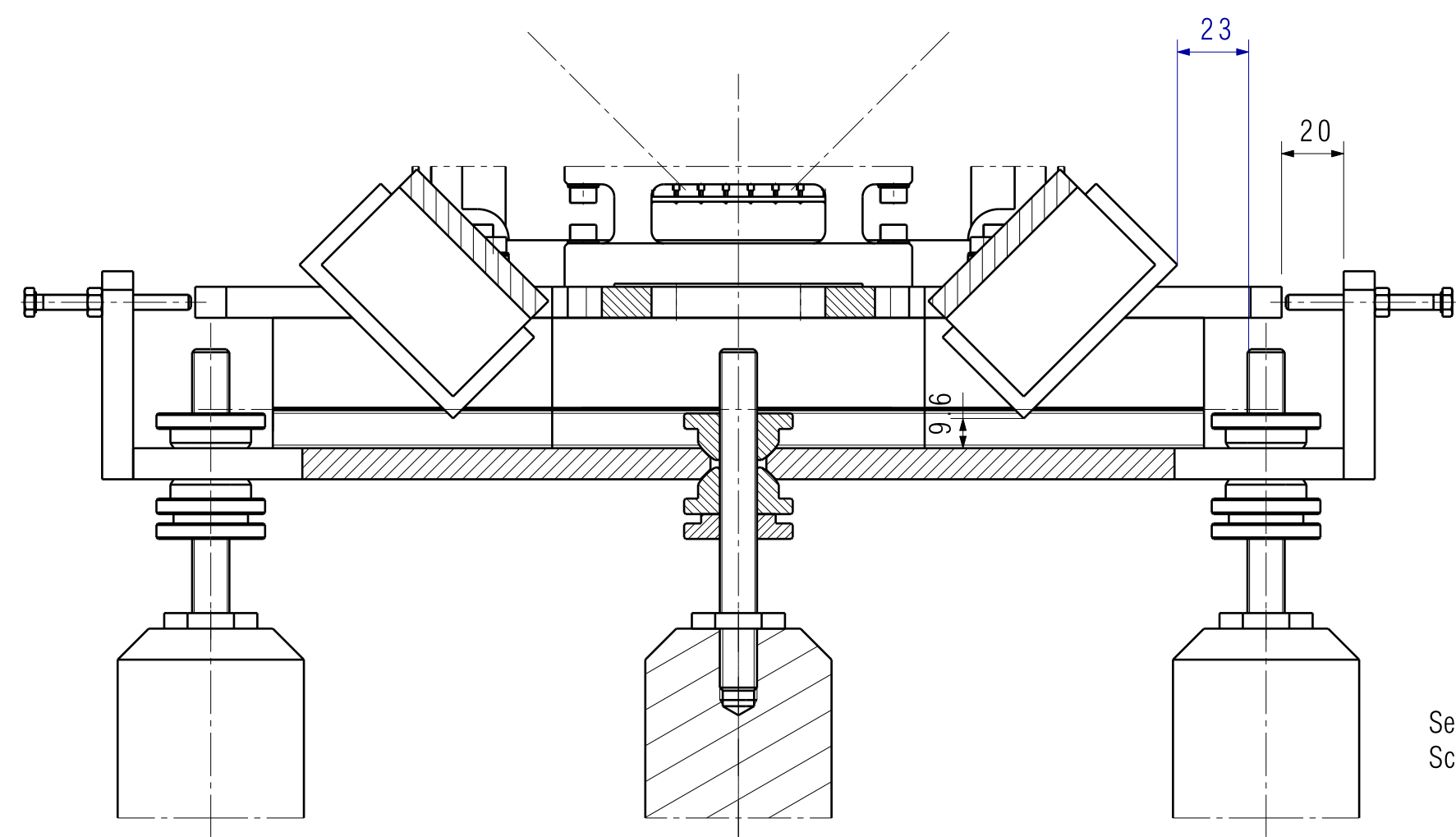
Bottom view
Scale: 1:3



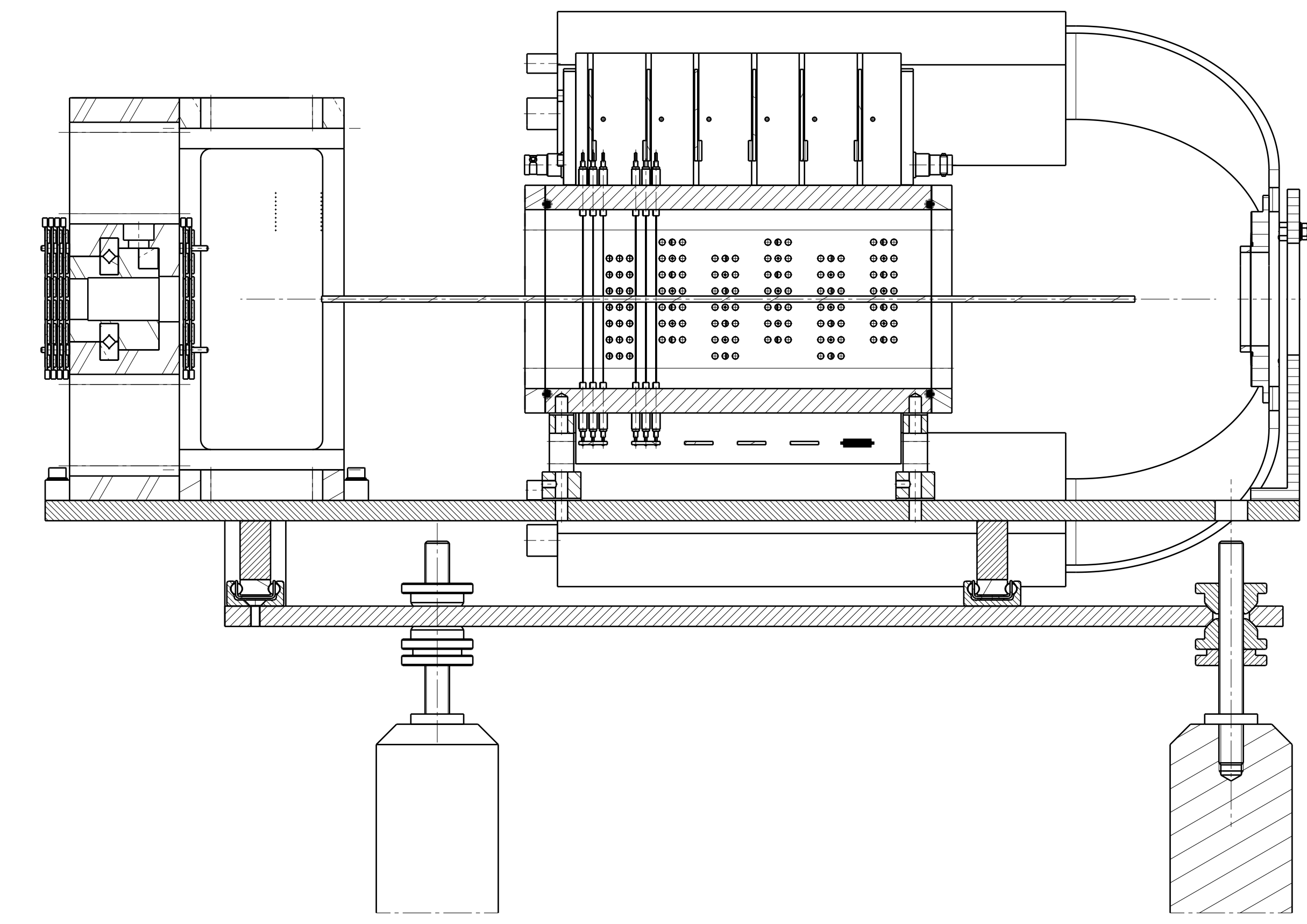
Section view B-B
Scale: 1:2



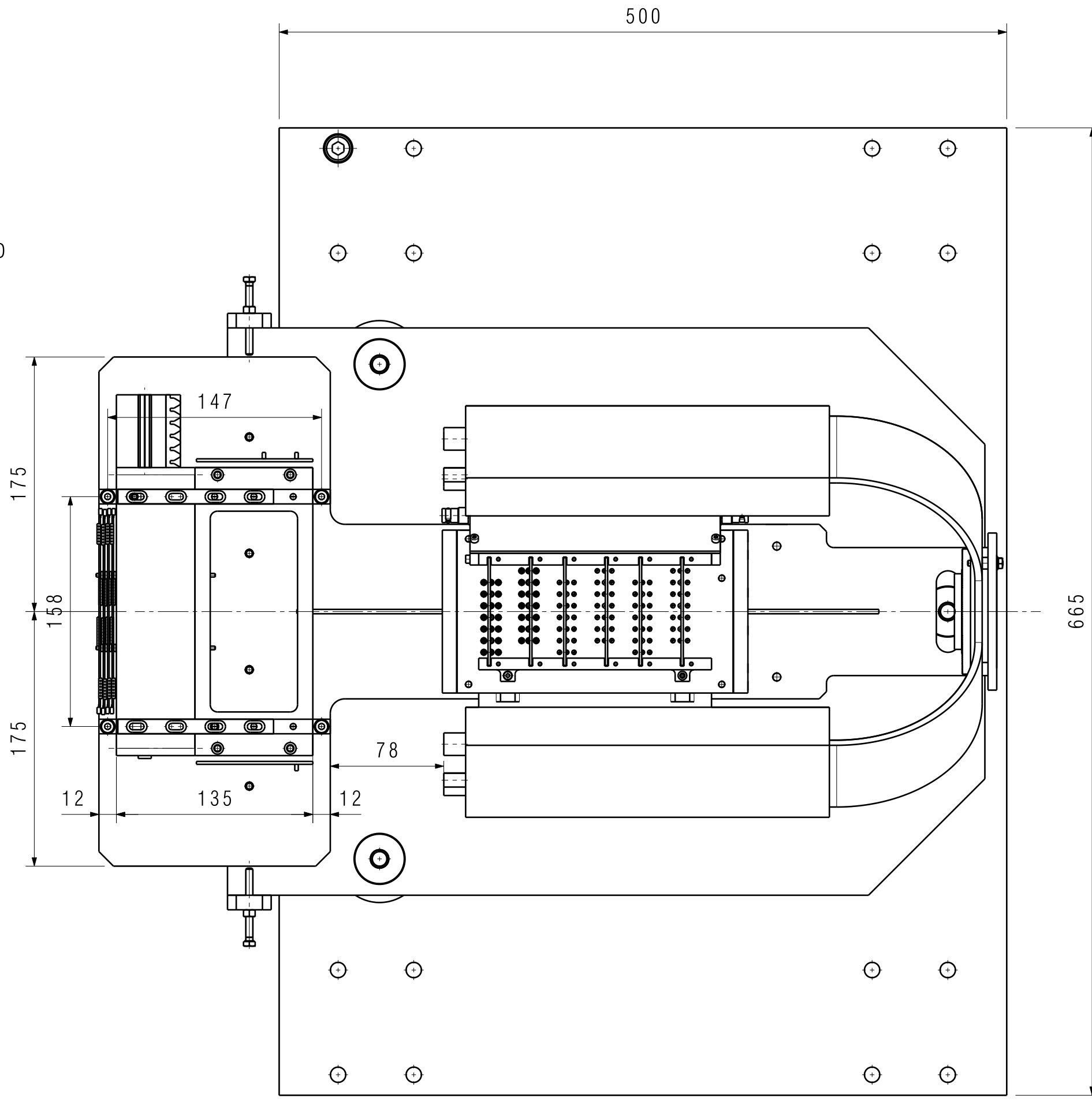
Auxiliary view C
Scale: 1:3



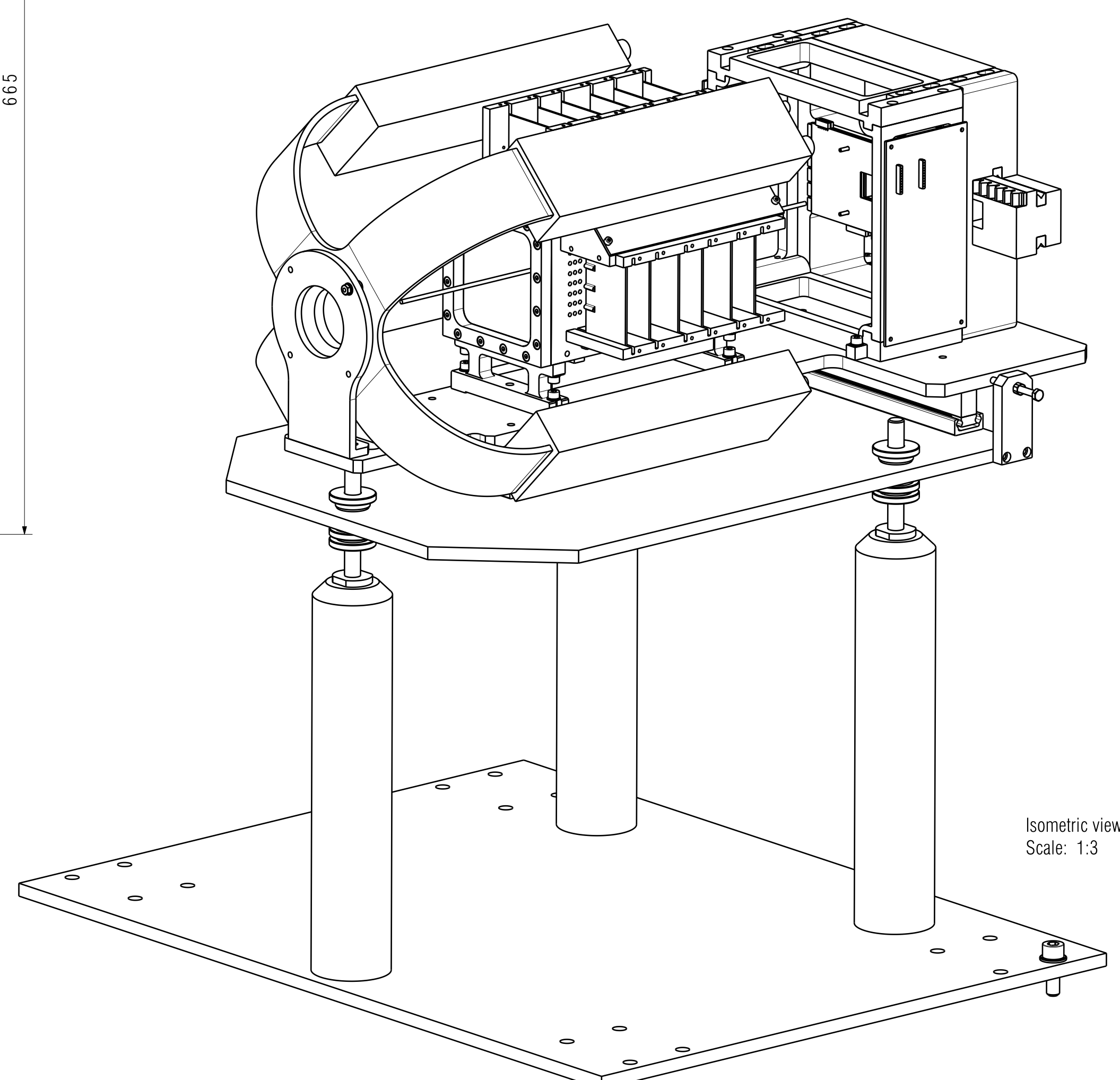
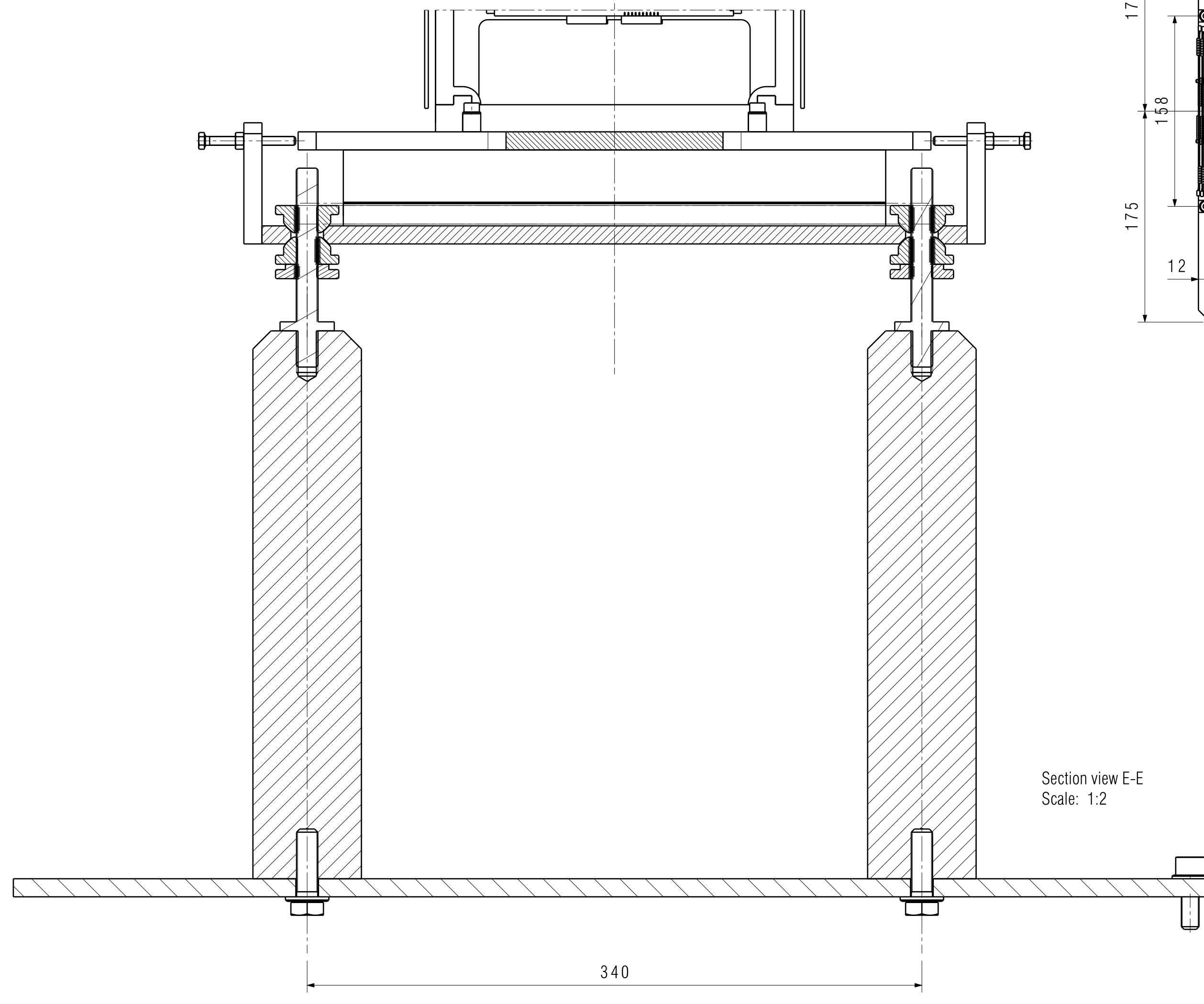
Section view D-D
Scale: 1:2



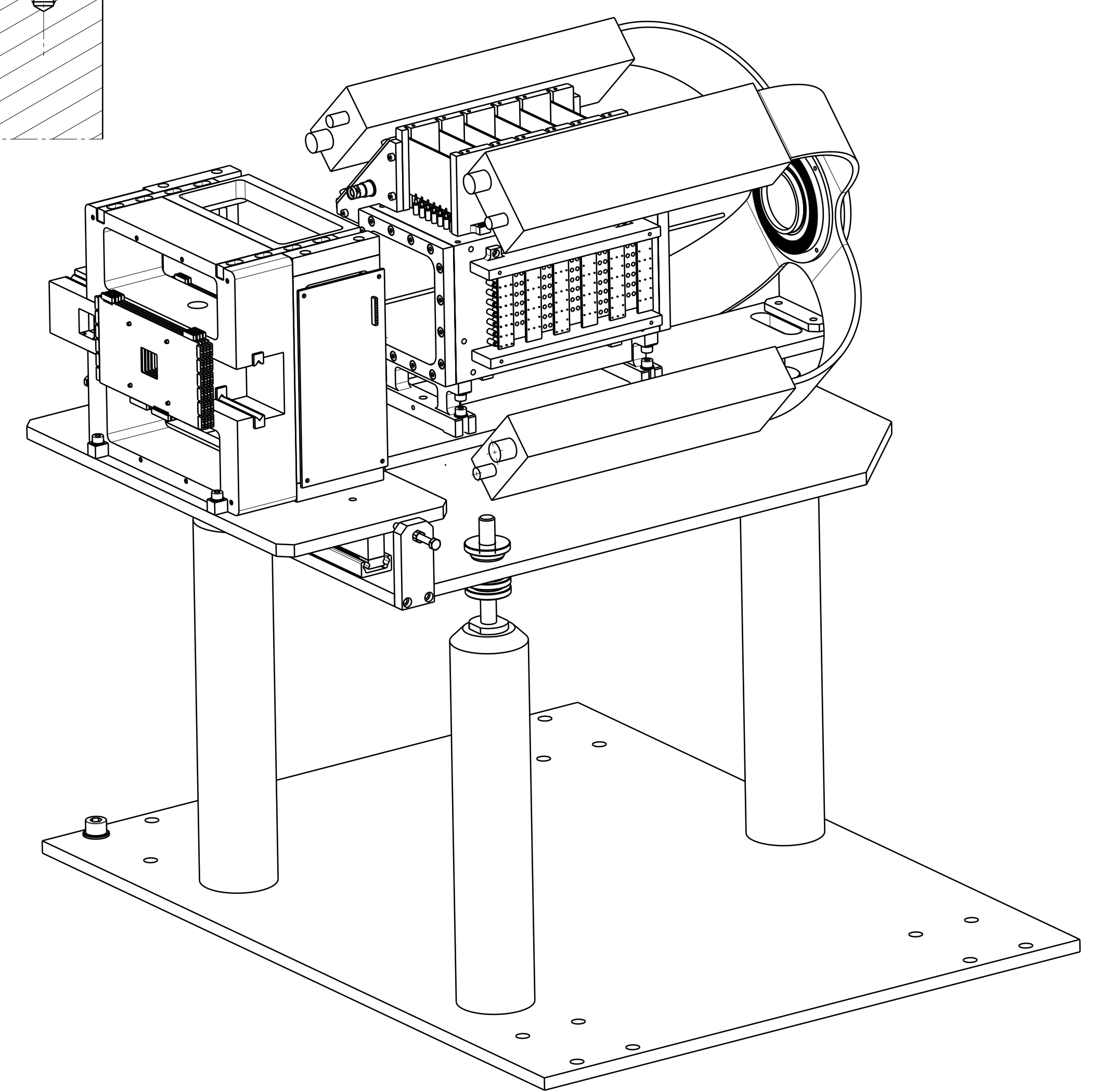
Section view F-F
Scale: 1:2




Section view E-E
Scale: 1:2



Isometric view
Scale: 1:3



Isometric view
Scale: 1:3

PART N	DRAWING	MATERIAL	DENOMINATION		WEIGHT	Q.TY
			General tolerance ISO 2768-mK-E	Geometrical tolerance ISO 8015-E		Roughness ISO 1302
 NATIONAL INSTITUTE FOR NUCLEAR PHYSICS FRASCATI NATIONAL LAB S.P.A.S.			SIZE A0 PROJECTION	REGION DATE: 12/05/2011 4/29/2011	NAME: S. Cerioni S. Cerioni	APPROVED DATE:
Exp. TPS Detectors assembly			1:3	1/1		
						ASSY