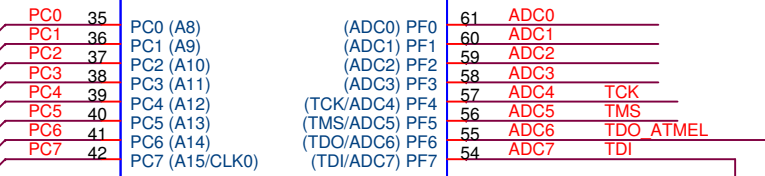
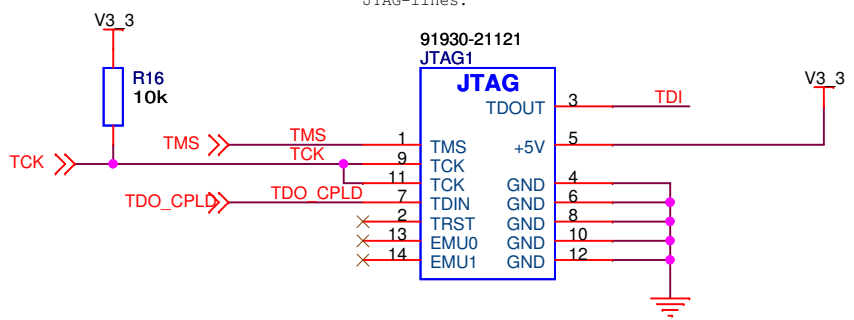
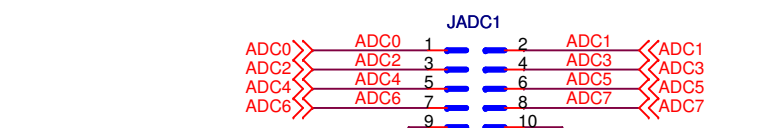
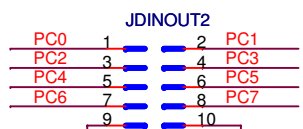
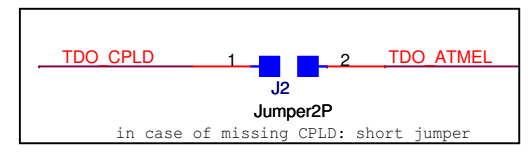
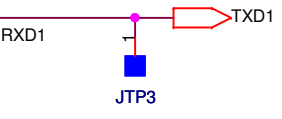


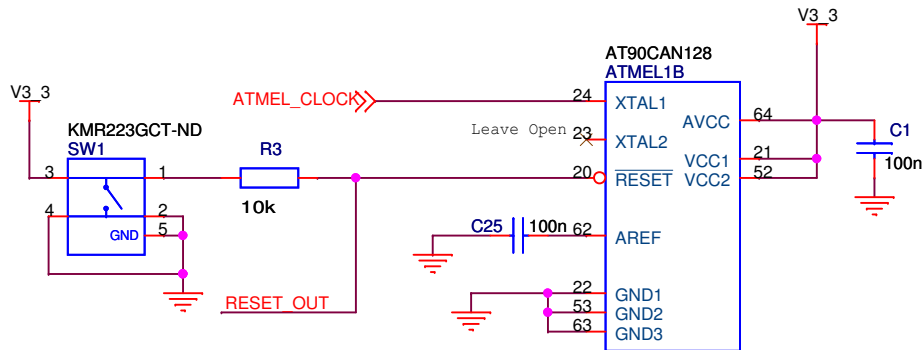
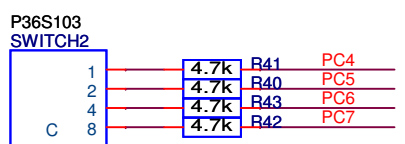
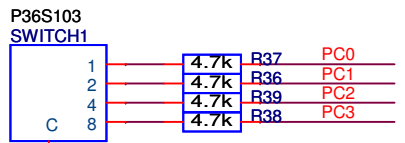
Pads with text on board



connection to async-port ETRAX



ATMEL has internal pullups on JTAG-lines.

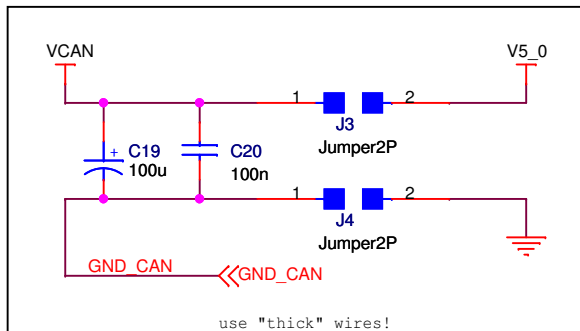
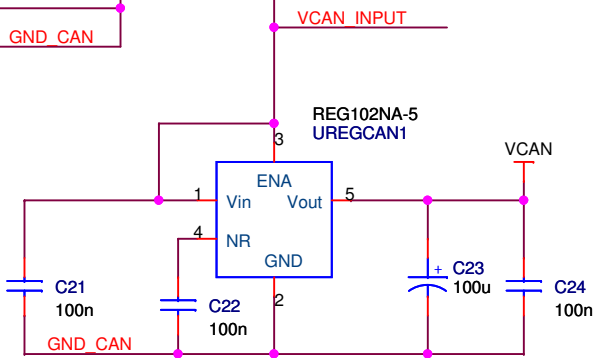
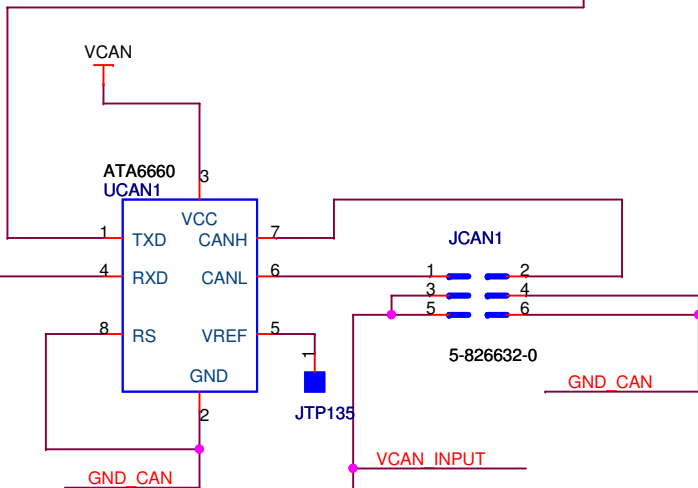
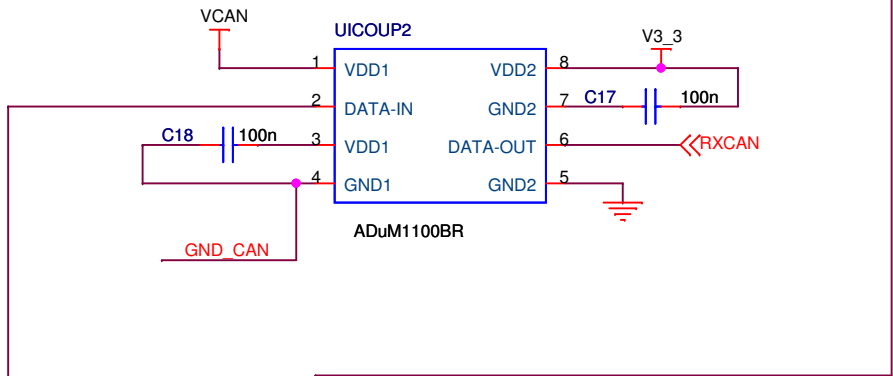
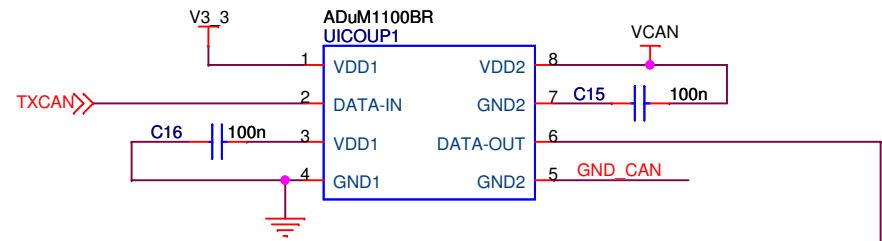


GSI

HADSHOPOM01

Gesellschaft für Schwerionenforschung mbH
Planckstrasse 1
D-64291 Darmstadt
GERMANY
www.gsi.de

Design: K:\GSI\JOB\HADSHOPOM01\HADSHOPOM01\HADSHOPOM0.DSN	Size: A4	Page: 1 / 9
Modified: Thursday, June 02, 2005	Designer: M.Traxler	Lavouter: P.Skott

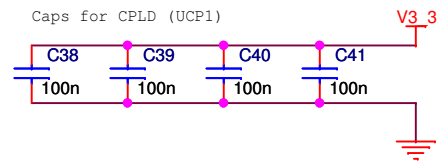
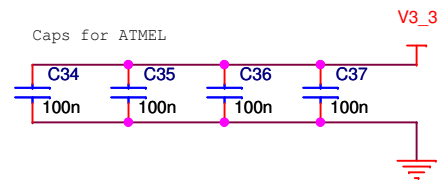
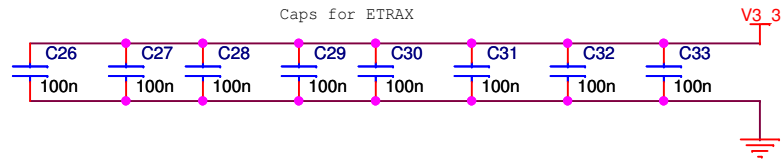


GSI

Gesellschaft für Schwerionenforschung mbH
 Planckstrasse 1
 D-64291 Darmstadt
 GERMANY
 www.gsi.de

HADSHOPOM01

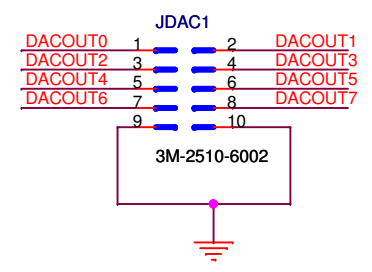
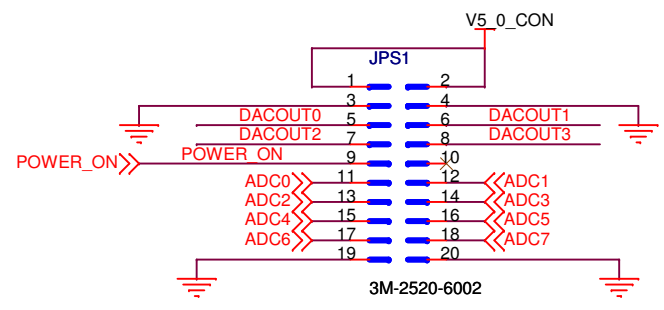
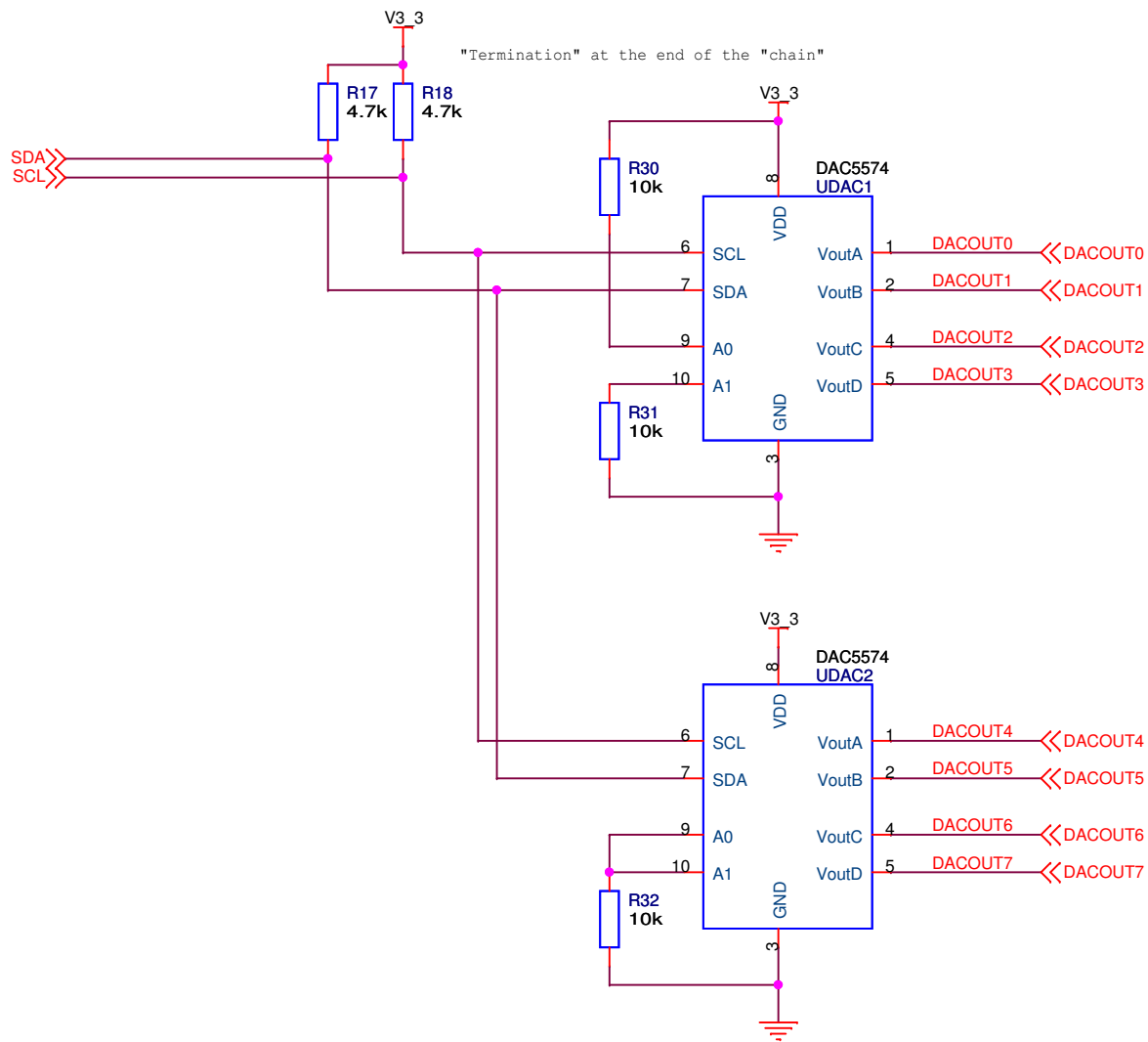
Design: K:\GSI\JOB\HADSHOPOM01\HADSHOPOM01\HADSHOPOM01.DSN	
Modified: Thursday, June 02, 2005	Size: A4 Page: 2 / 9
Designer: M.Traxler	Lavouter: P.Skott



GSI

Gesellschaft für Schwerionenforschung mbH
 Planckstrasse 1
 D-64291 Darmstadt
 GERMANY
www.gsi.de

HADSHOPOMO1

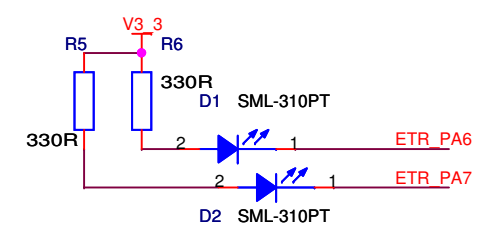
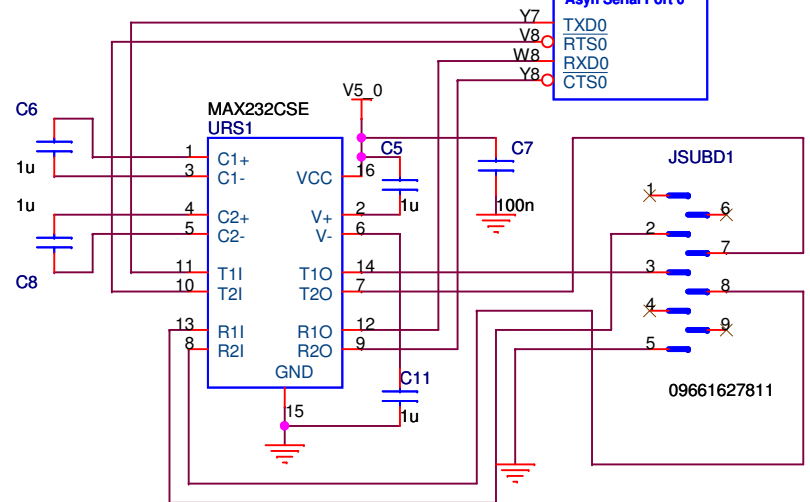
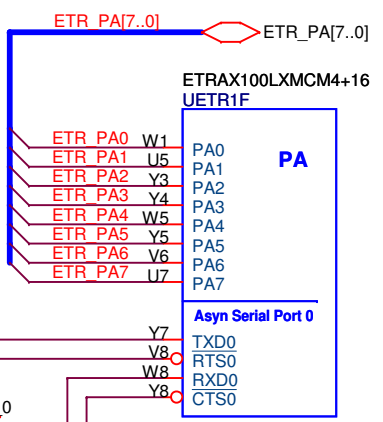
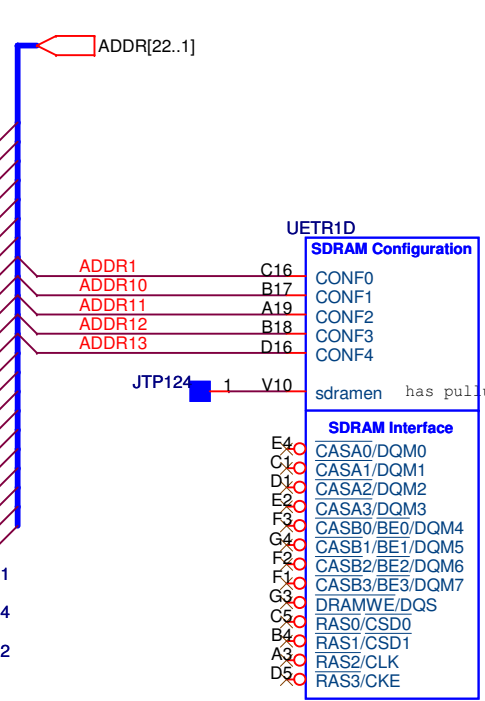
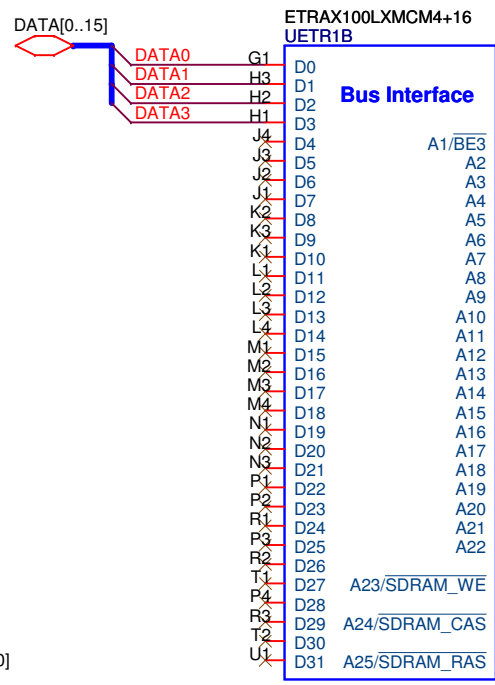
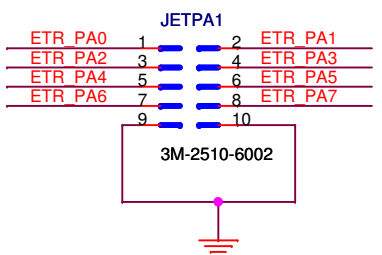


GSI

Gesellschaft für Schwerionenforschung mbH
Planckstrasse 1
D-64291 Darmstadt
GERMANY
www.gsi.de

HADSHOPOMO1

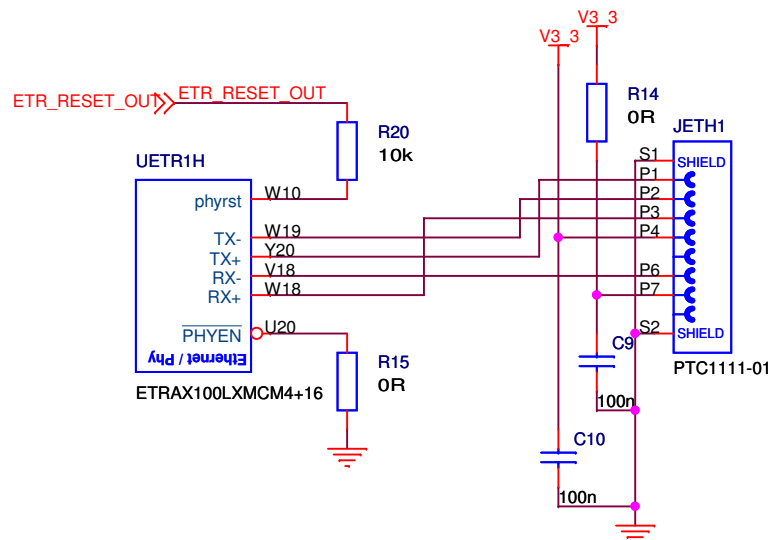
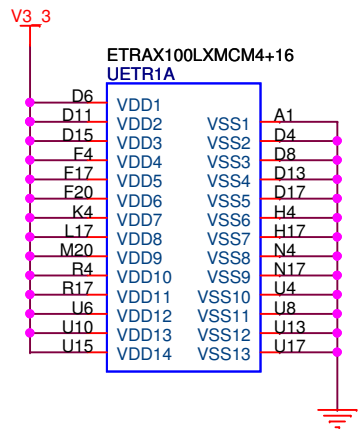
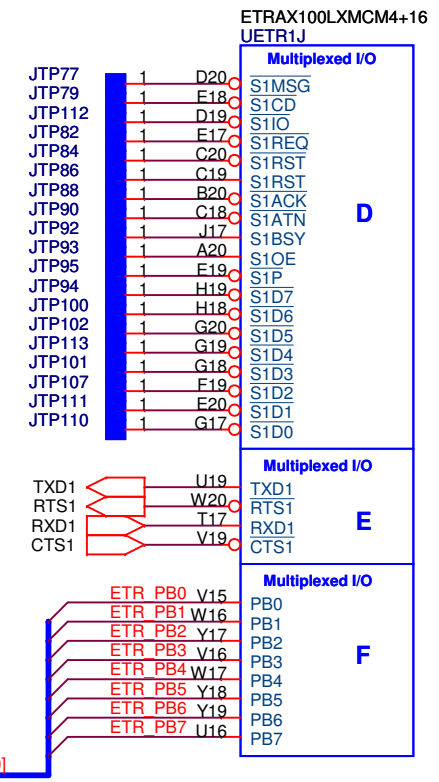
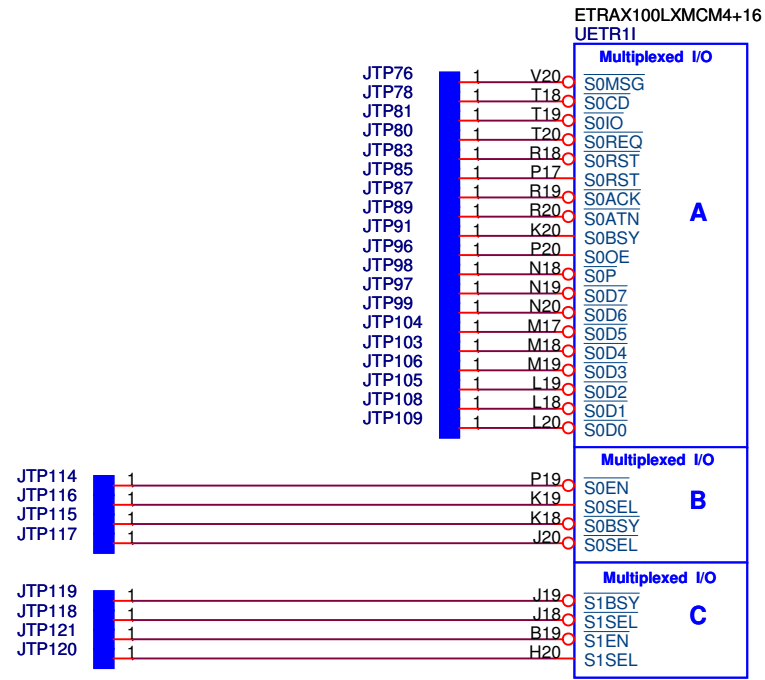
Design: K:\GSI\JOB\HADSHOPOMO\HADSHOPOMO1\HADSHOPOMO.DSN	
Modified: Thursday, June 02, 2005	Size: A4 Page: 4 / 9
Designer: M.Traxler	Lavouter: P.Skott



Gesellschaft für Schwerionenforschung mbH
Planckstrasse 1
D-64291 Darmstadt
GERMANY
www.gsi.de

HADSHOPOMO1

Design: K:\GSI\JOB\HADSHOPOMO1\HADSHOPOMO1\HADSHOPOMO1.DSN		
Modified: Thursday, June 02, 2005	Size: A4	Page: 5 / 9
Designer: M.Traxler	Layouter: P.Skott	

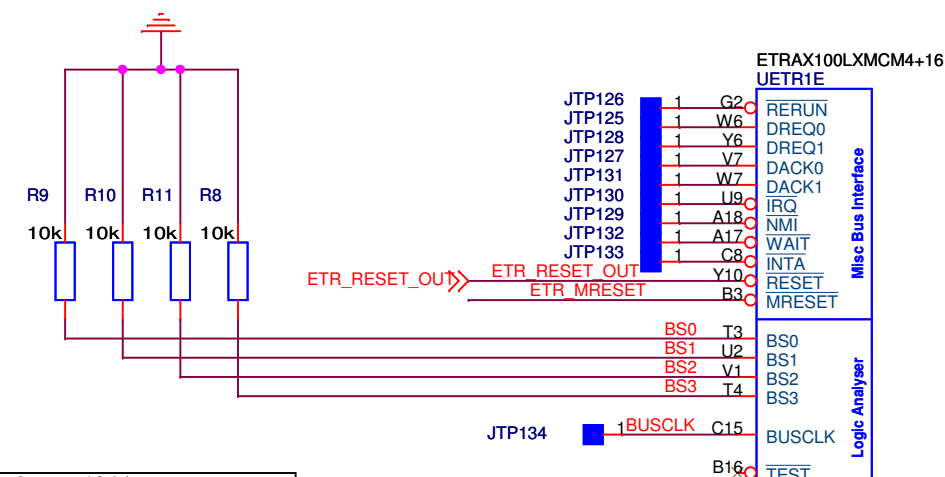
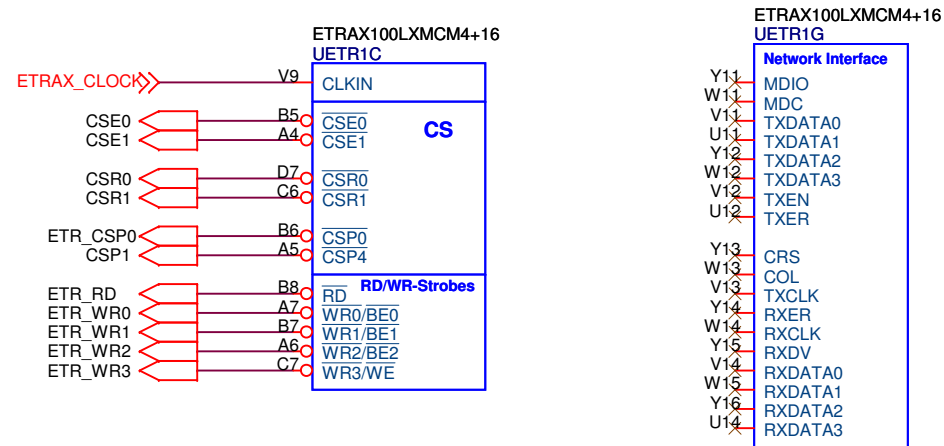


GSI

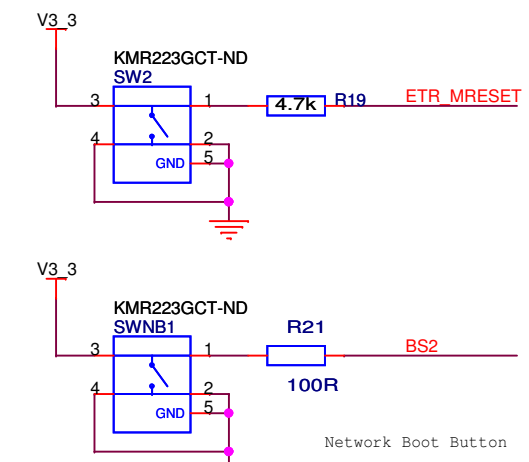
Gesellschaft für Schwerionenforschung mbH
Planckstrasse 1
D-64291 Darmstadt
GERMANY
www.gsi.de

HADSHOPOMO1

Design: K:\GSI\JOB\HADSHOPOMO1\HADSHOPOMO1\HADSHOPOMO1.DSN	Size: A4	Page: 6 / 9
Modified: Thursday, June 02, 2005	Designer: M.Traxler	Layouer: P.Skott



bs0: low -> 16 bit
 bs1&2: low -> normal boot
 bs1: low, bs2: high -> network boot

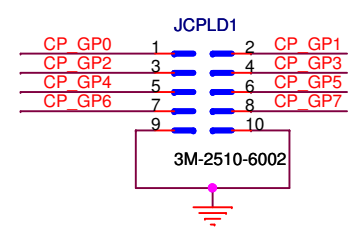
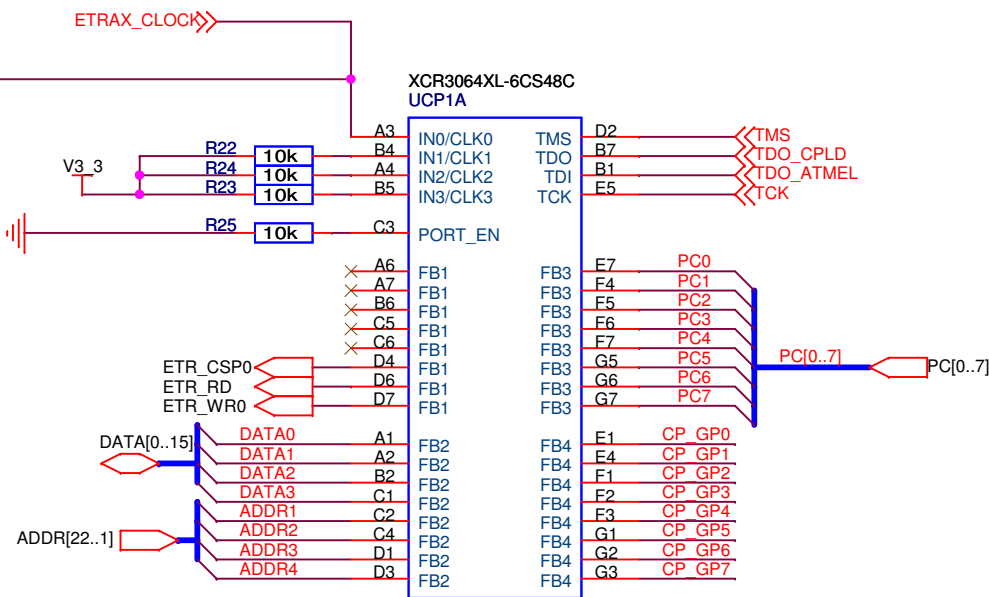
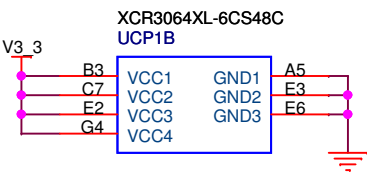
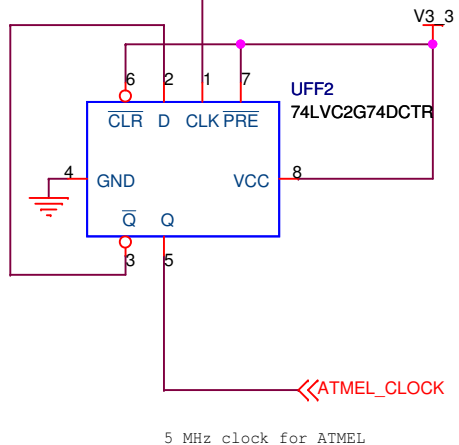
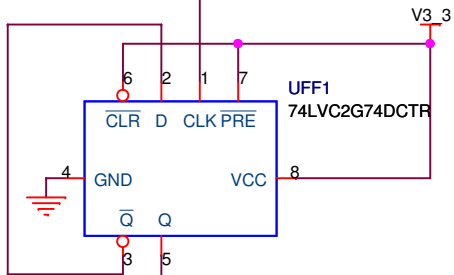
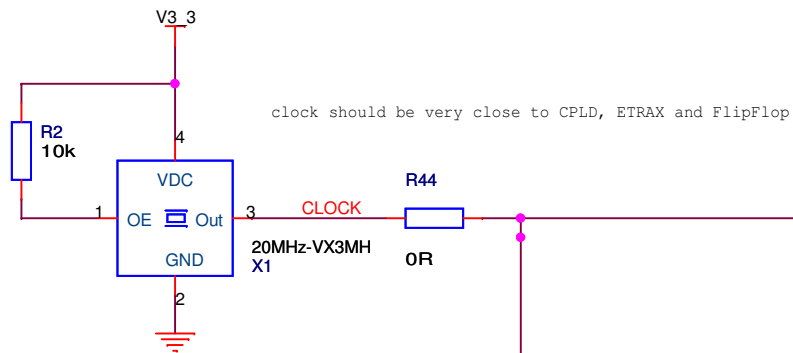


GSI

HADSHOPOM01

Gesellschaft für Schwerionenforschung mbH
 Planckstrasse 1
 D-64291 Darmstadt
 GERMANY
 www.gsi.de

Design: K:\GSIJOB\HADSHOPOM01\HADSHOPOM01\HADSHOPOM0.DSN		
Modified: Thursday, June 02, 2005	Size: A4	Page: 7 / 9
Designer: M.Traxler	Layouter: P.Skott	



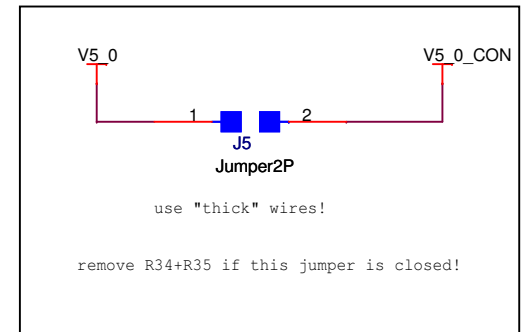
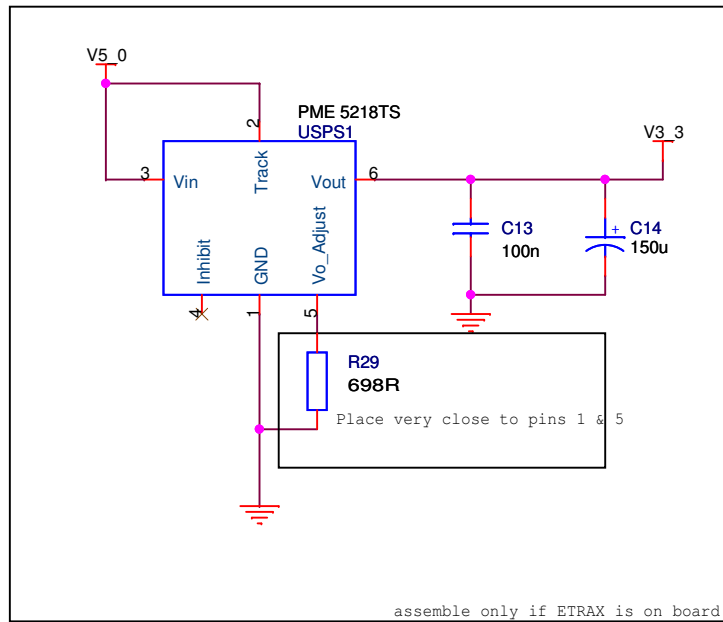
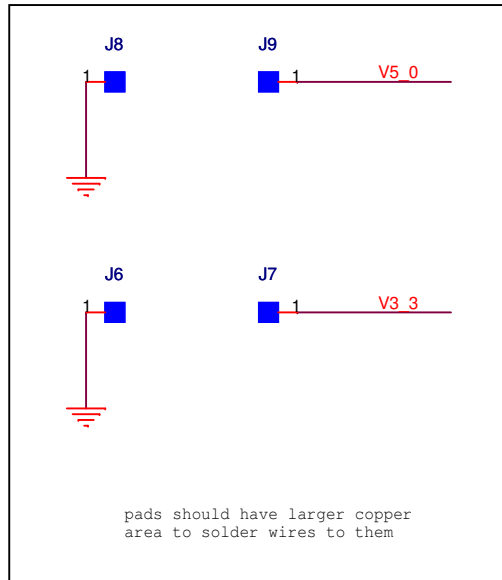
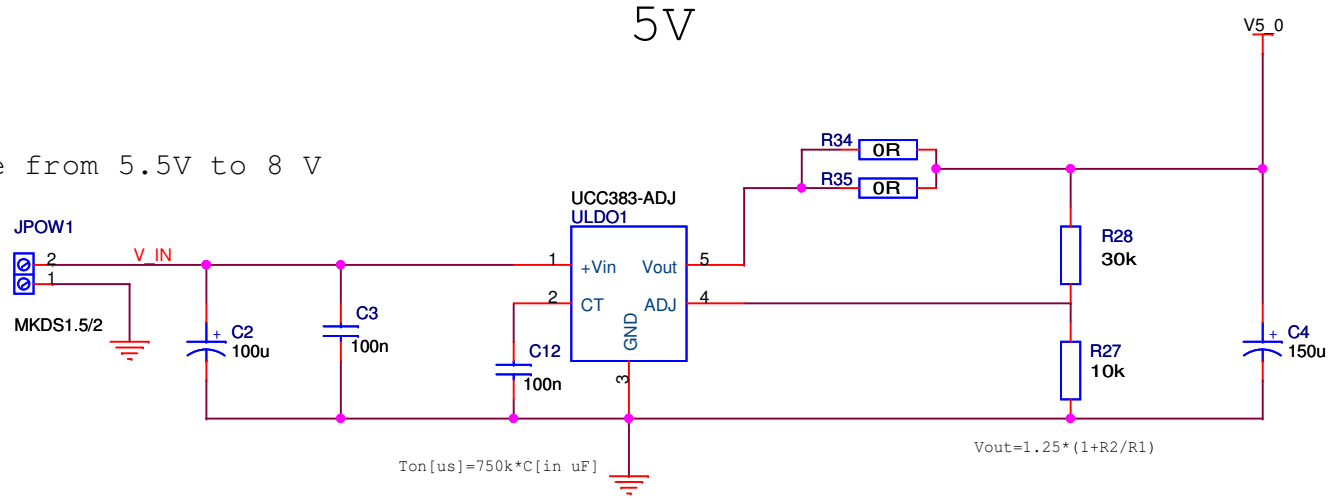
GSI

Gesellschaft für Schwerionenforschung mbH
 Planckstrasse 1
 D-64291 Darmstadt
 GERMANY
www.gsi.de

HADSHOPOM01

Design: K:\GSI\JOB\HADSHOPOM01\HADSHOPOM01\HADSHOPOM01.DSN	
Modified: Thursday, June 02, 2005	Size: A4 Page: 8 / 9
Designer: M.Traxler	Lavouter: P.Skott

Input Voltage from 5.5V to 8 V



Gesellschaft für Schwerionenforschung mbH
Planckstrasse 1
D-64291 Darmstadt
GERMANY
www.gsi.de

HADSHOPOM01

Design: K:\GSI\JOB\HADSHOPOM01\HADSHOPOM01\HADSHOPOM01.DSN	
Modified: Thursday, June 02, 2005	Size: A4 Page: 9 / 9
Designer: M.Traxler	Lavouter: P.Skott