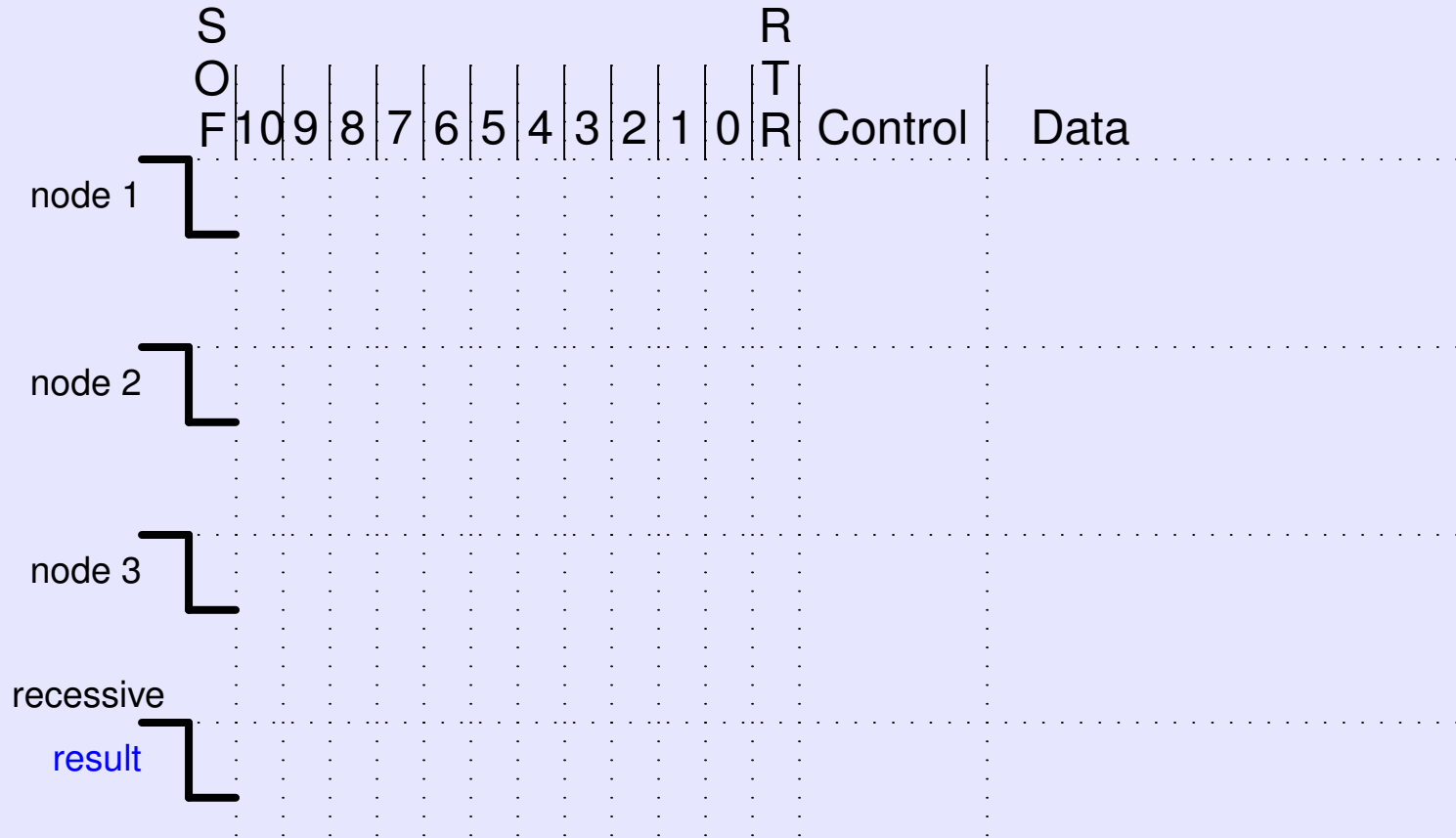
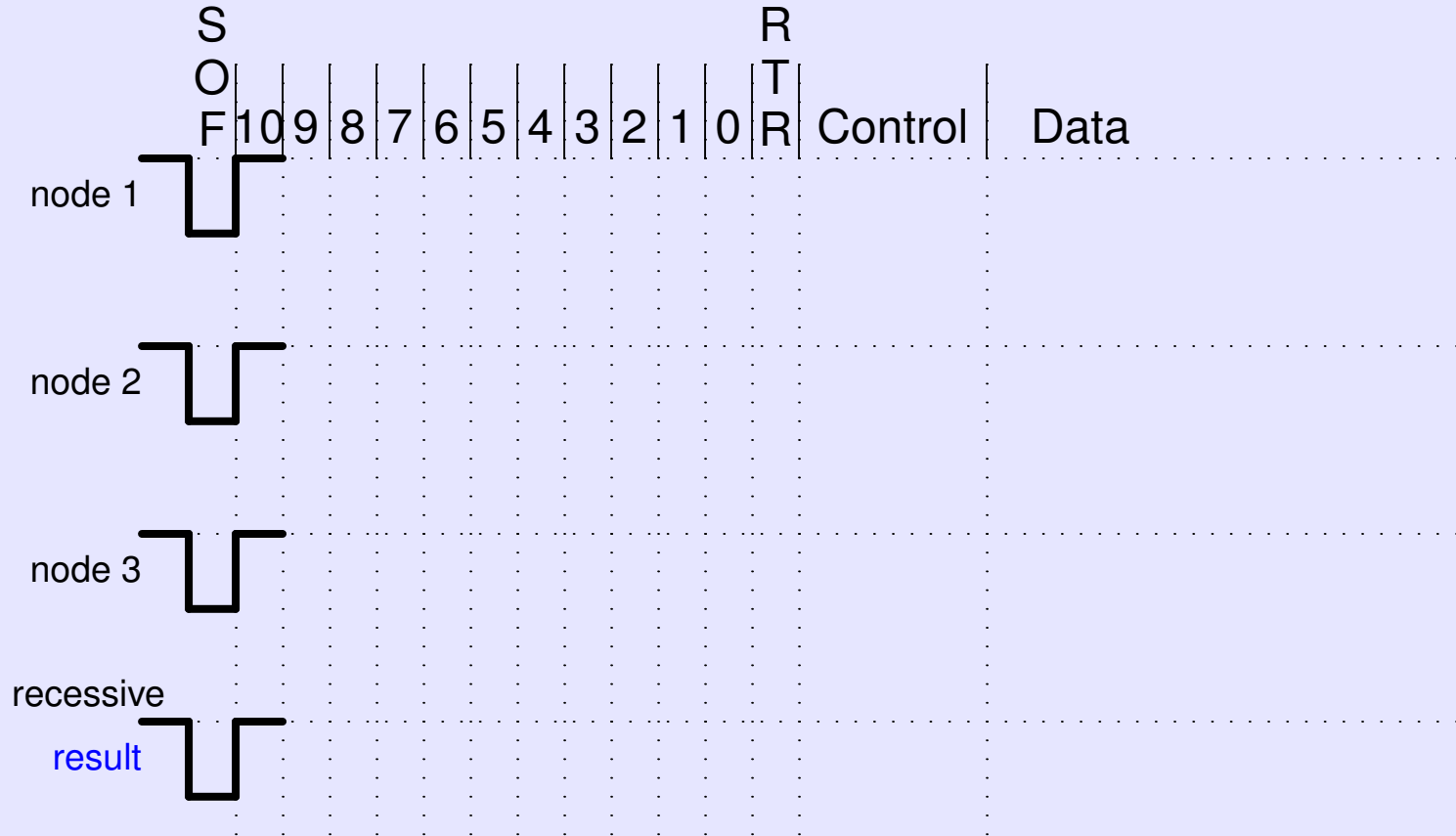


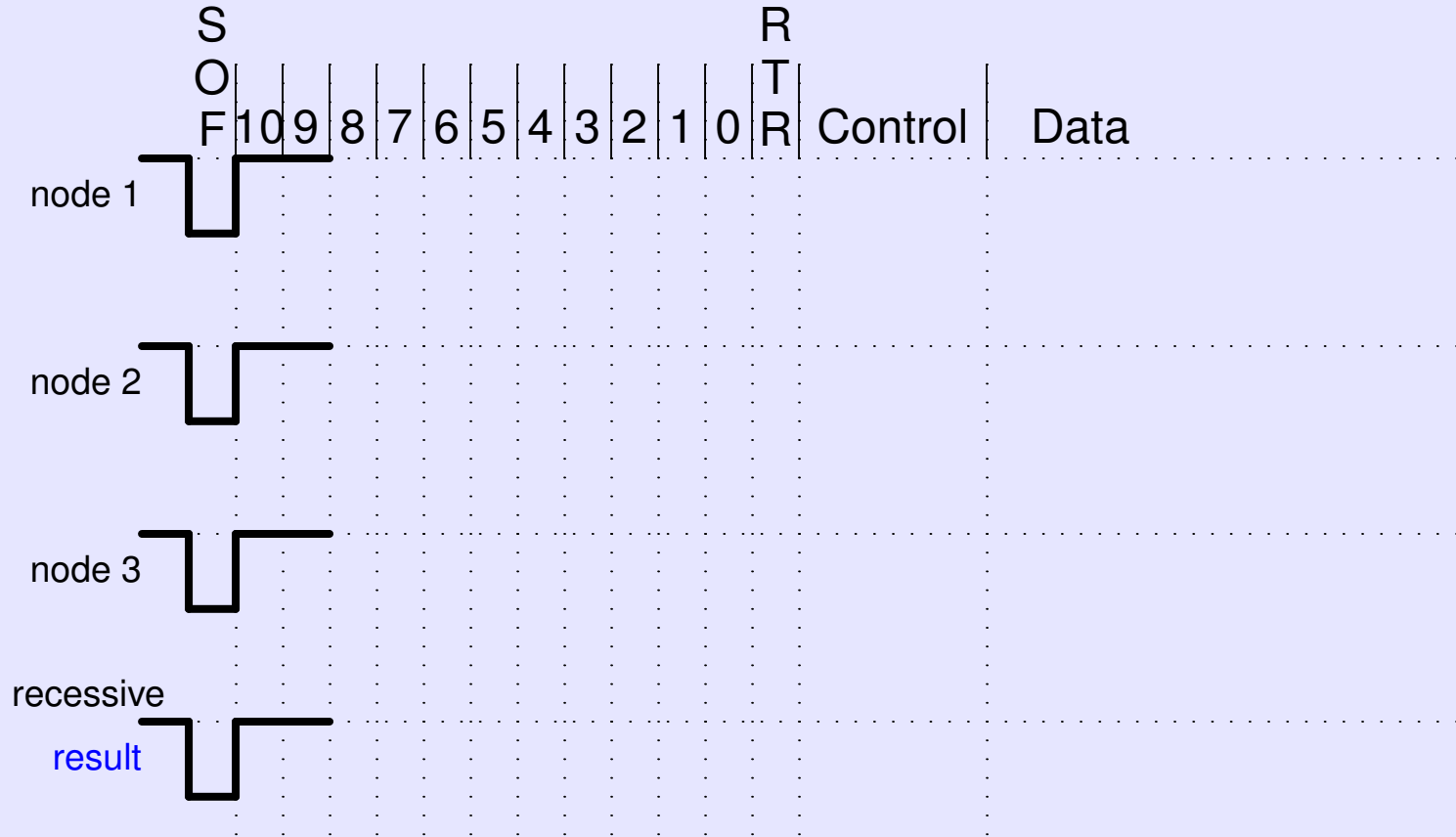
CAN Bus Arbitration Method



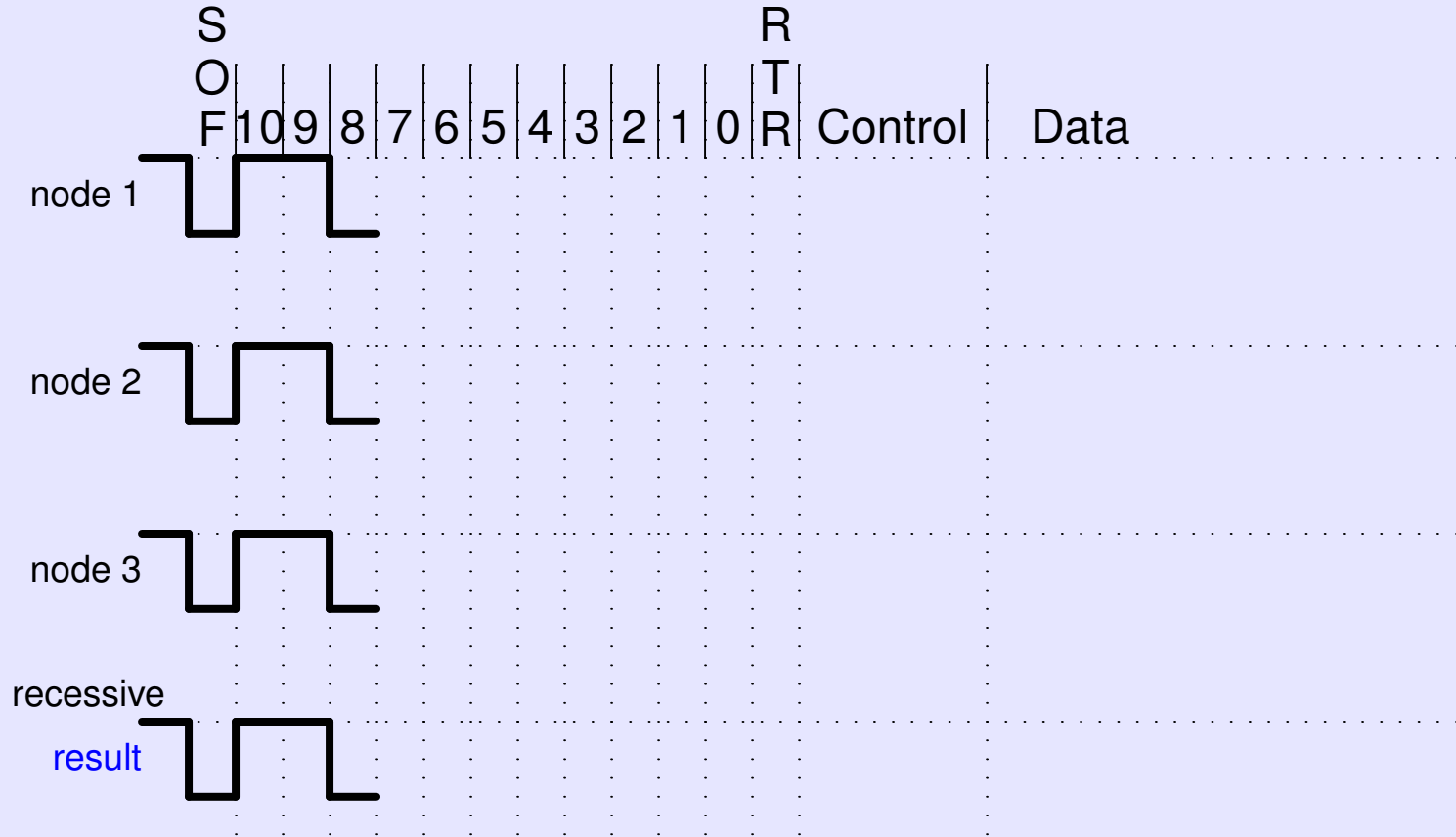
CAN Bus Arbitration Method



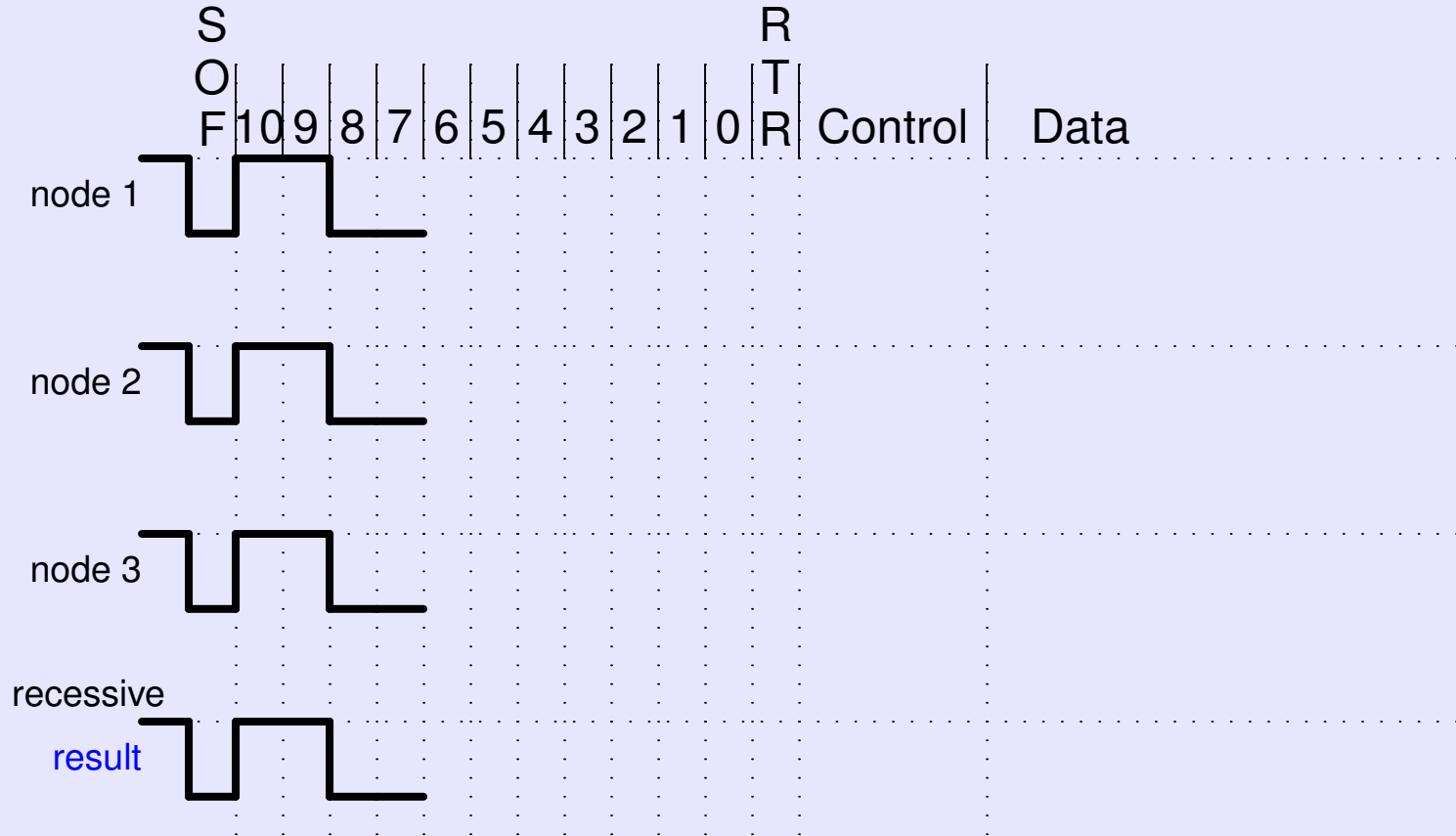
CAN Bus Arbitration Method



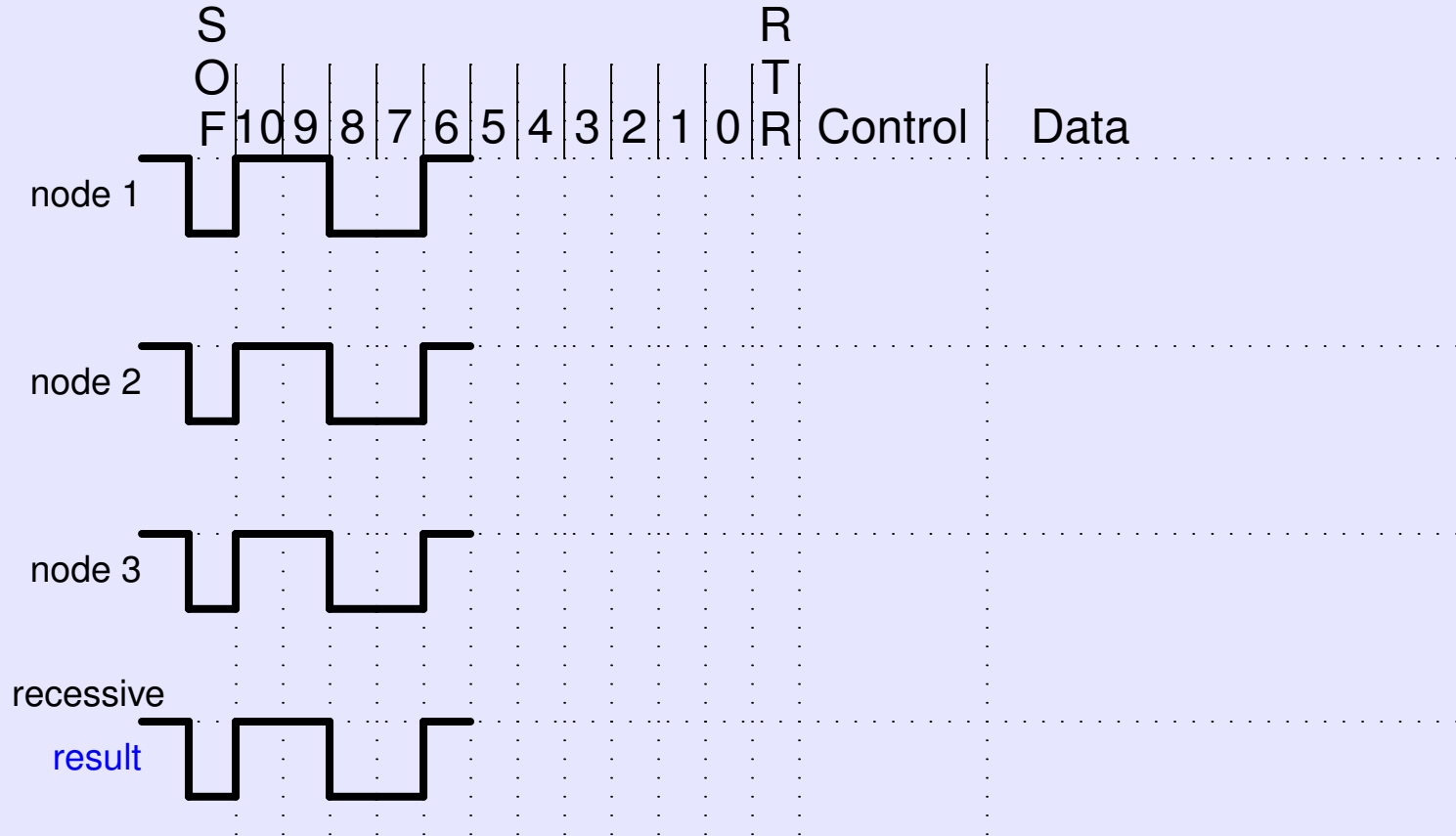
CAN Bus Arbitration Method



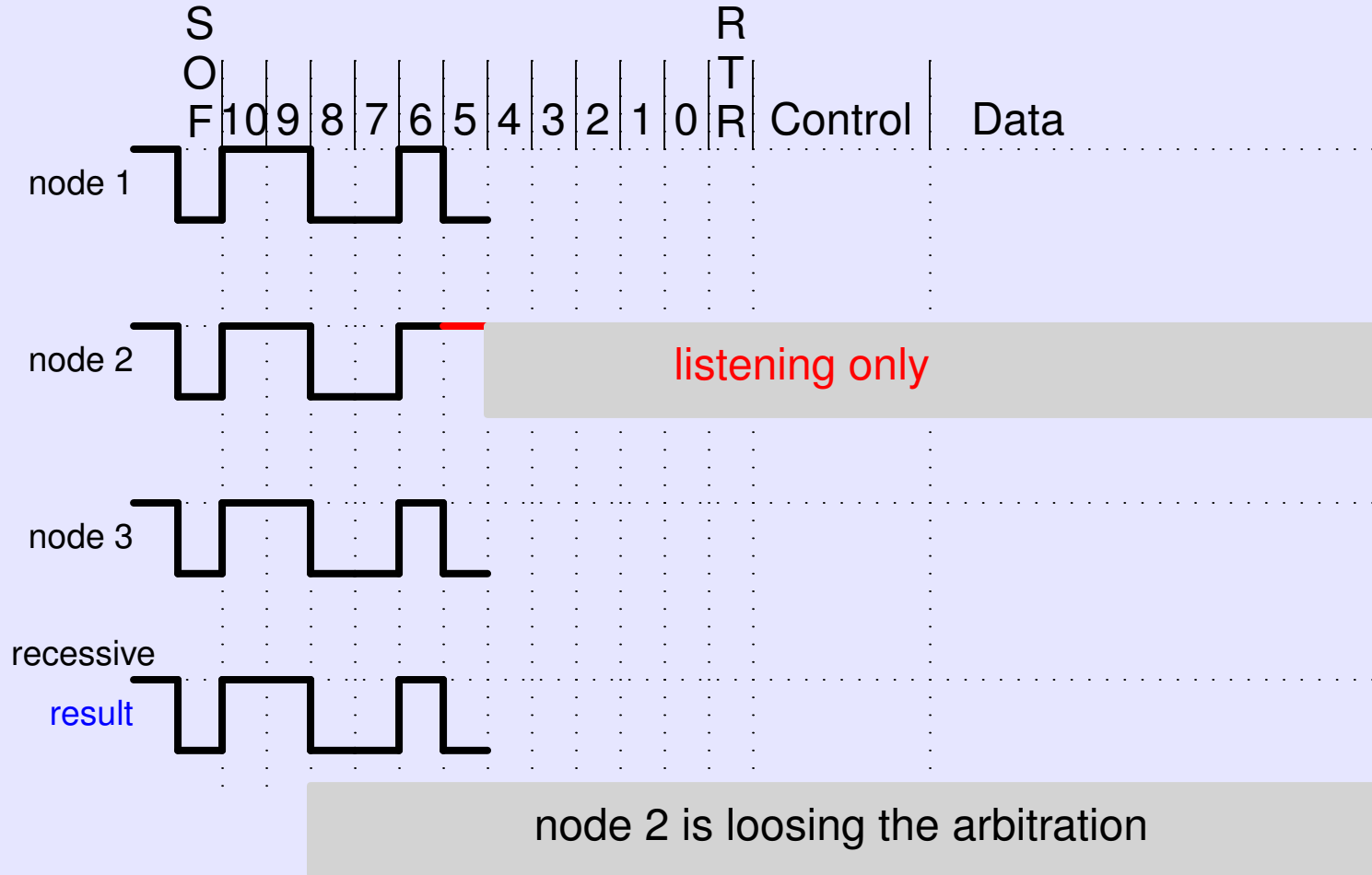
CAN Bus Arbitration Method



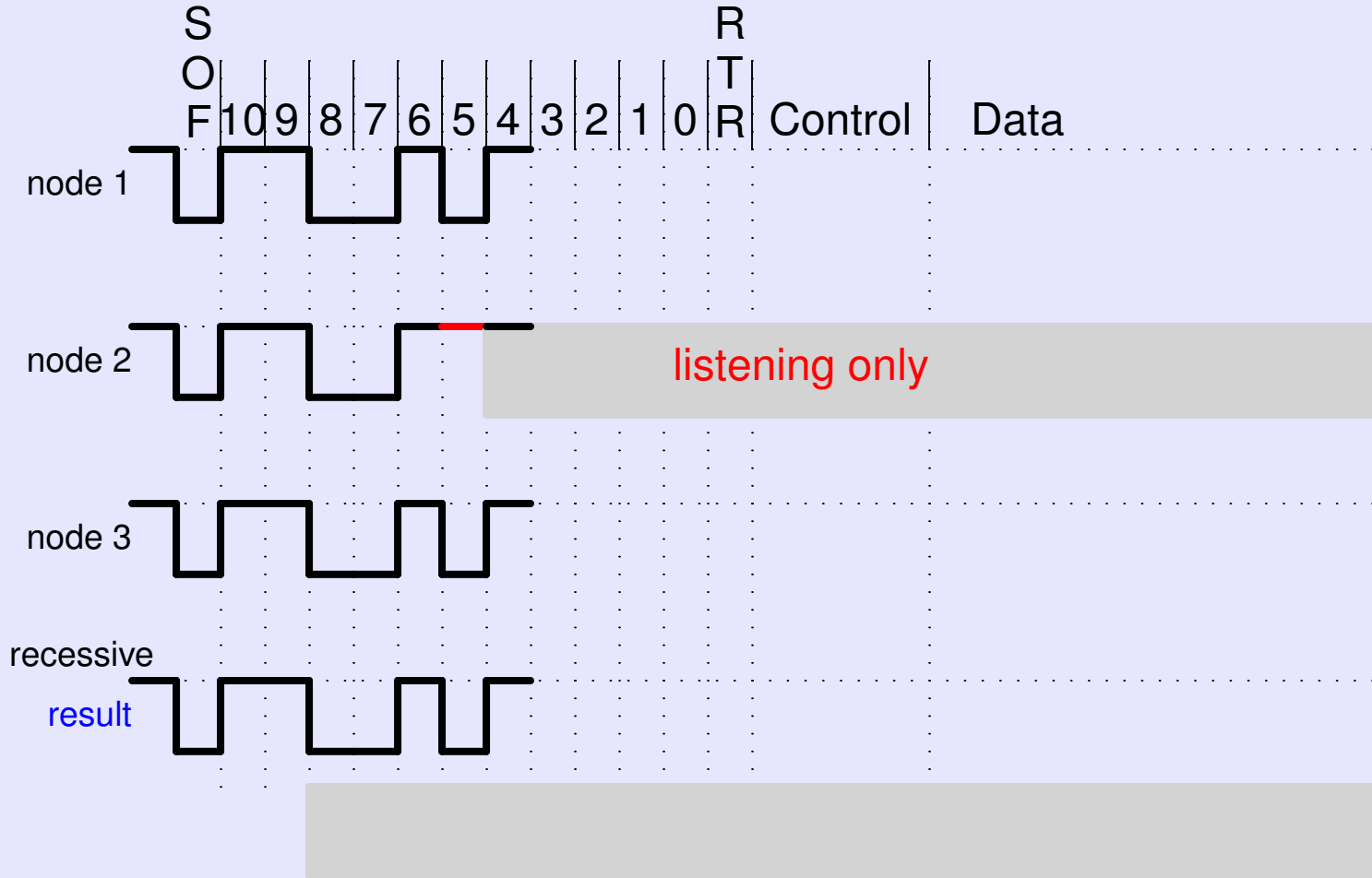
CAN Bus Arbitration Method



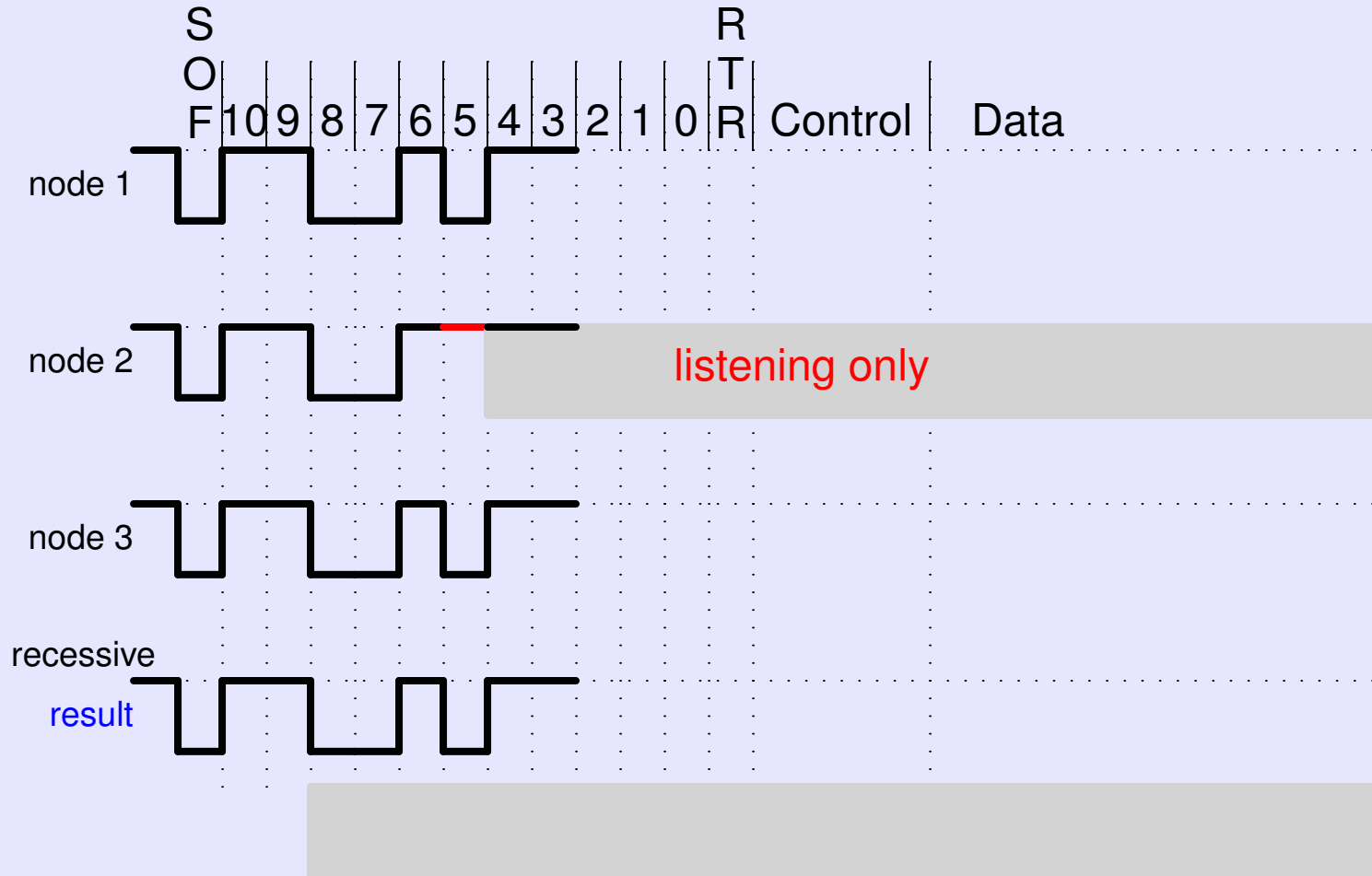
CAN Bus Arbitration Method



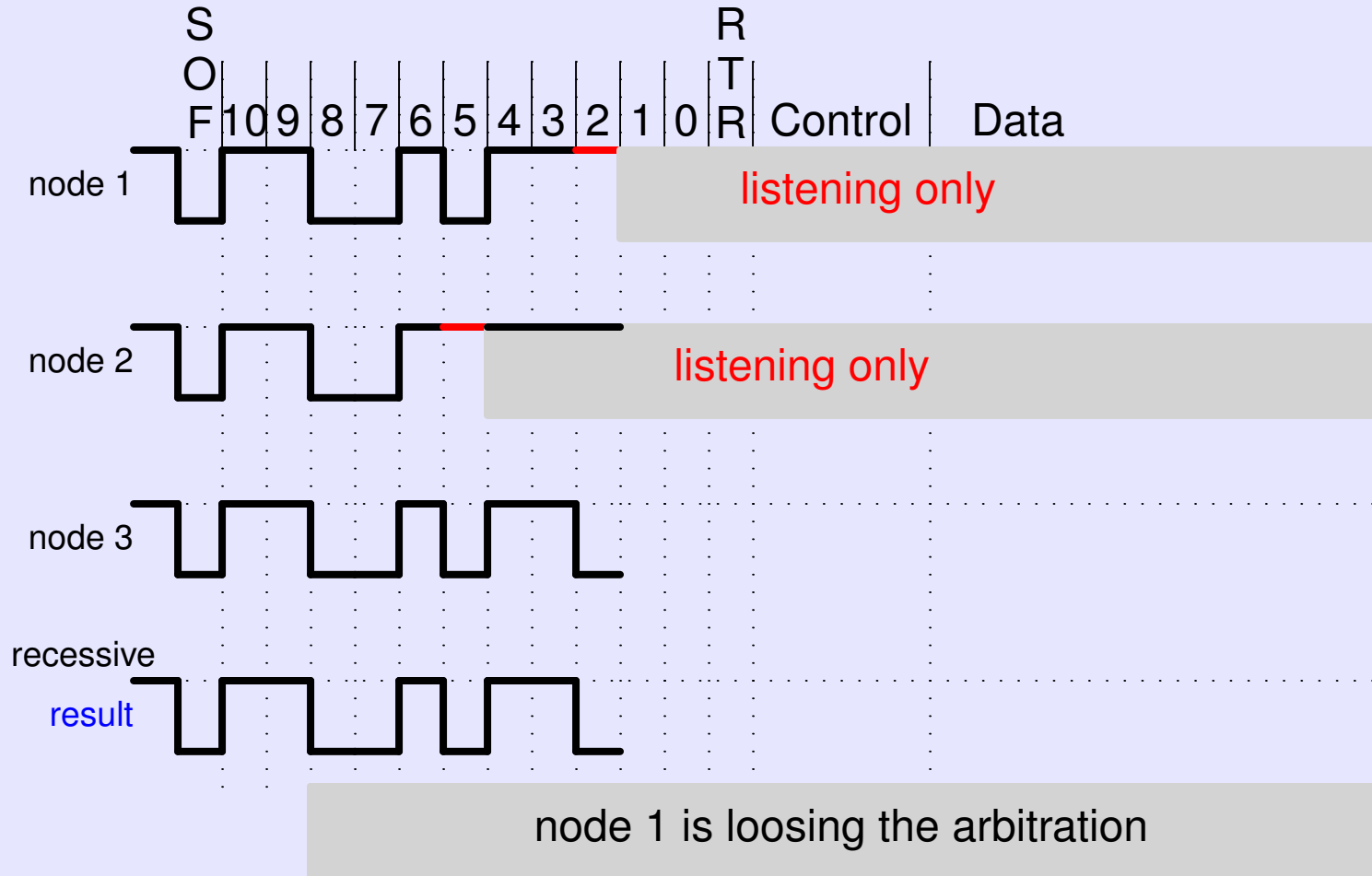
CAN Bus Arbitration Method



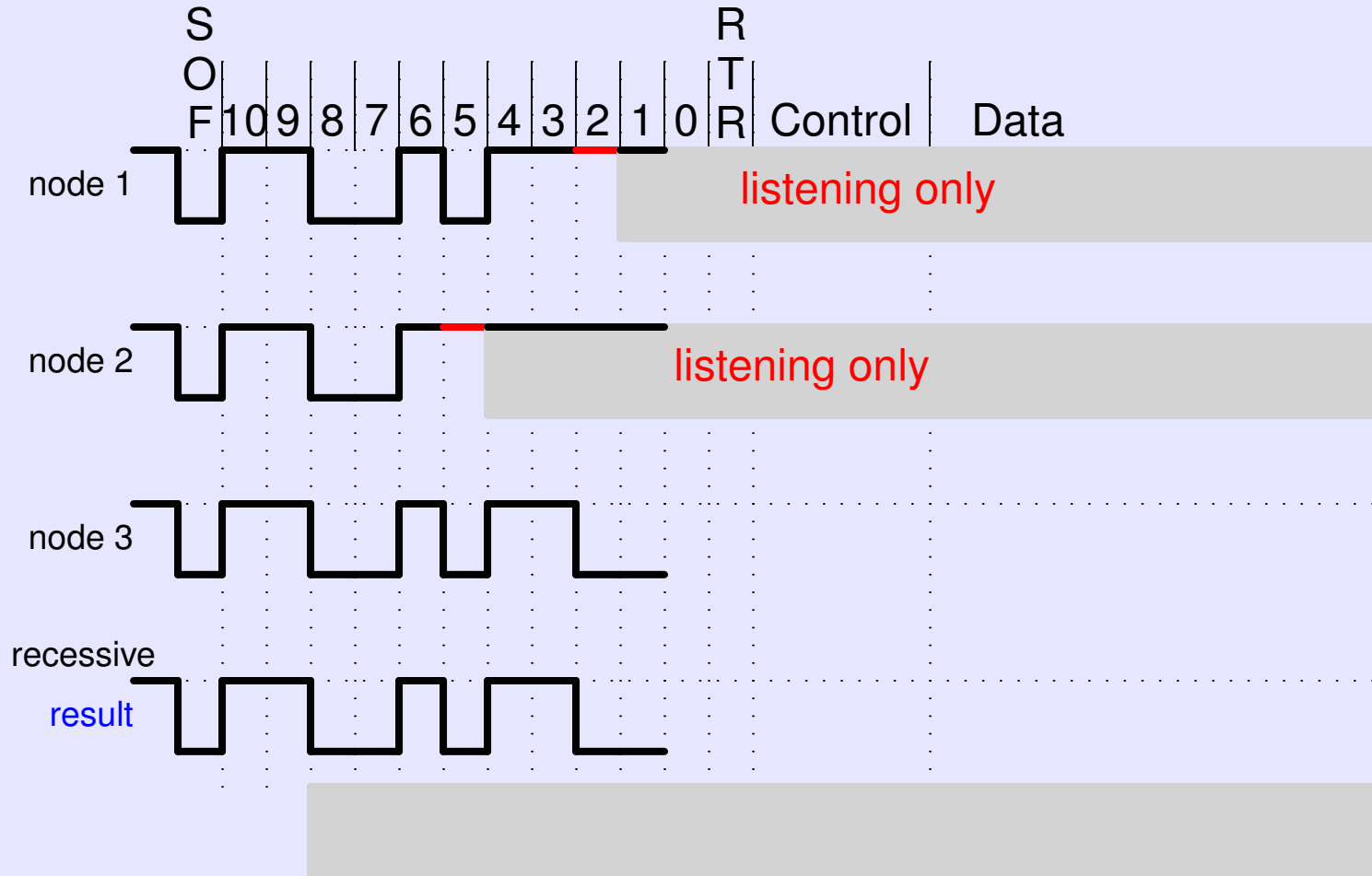
CAN Bus Arbitration Method



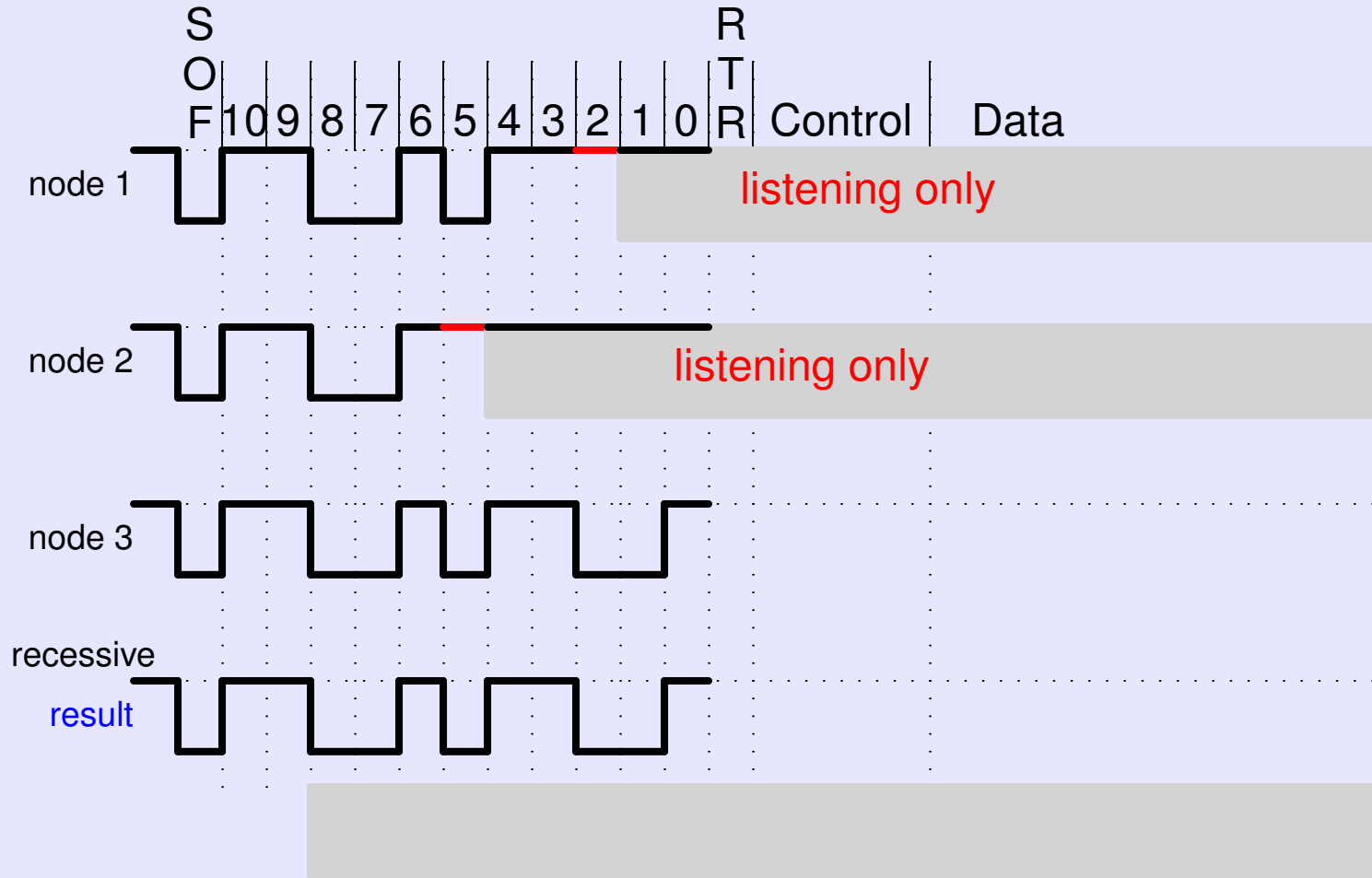
CAN Bus Arbitration Method



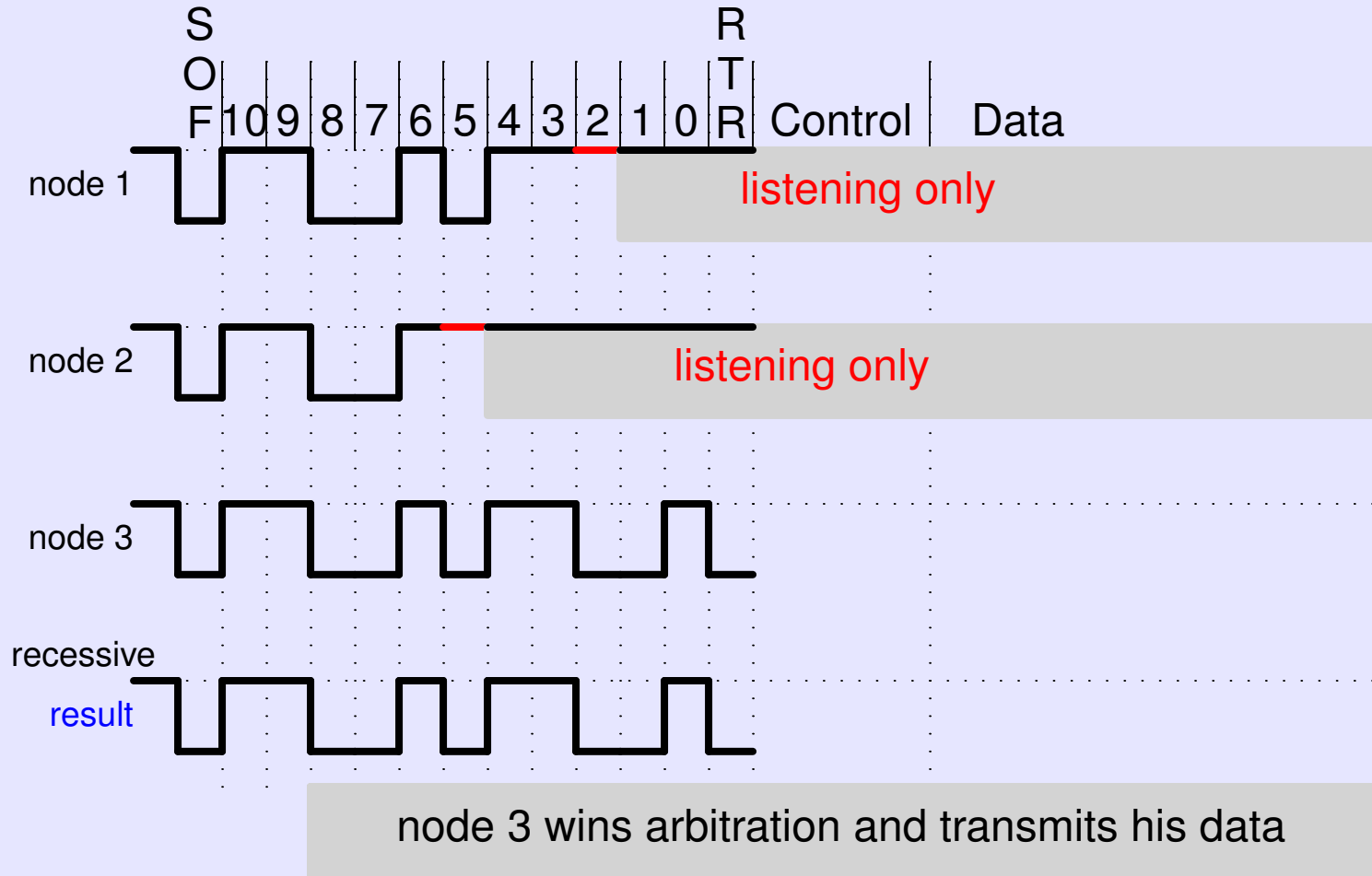
CAN Bus Arbitration Method



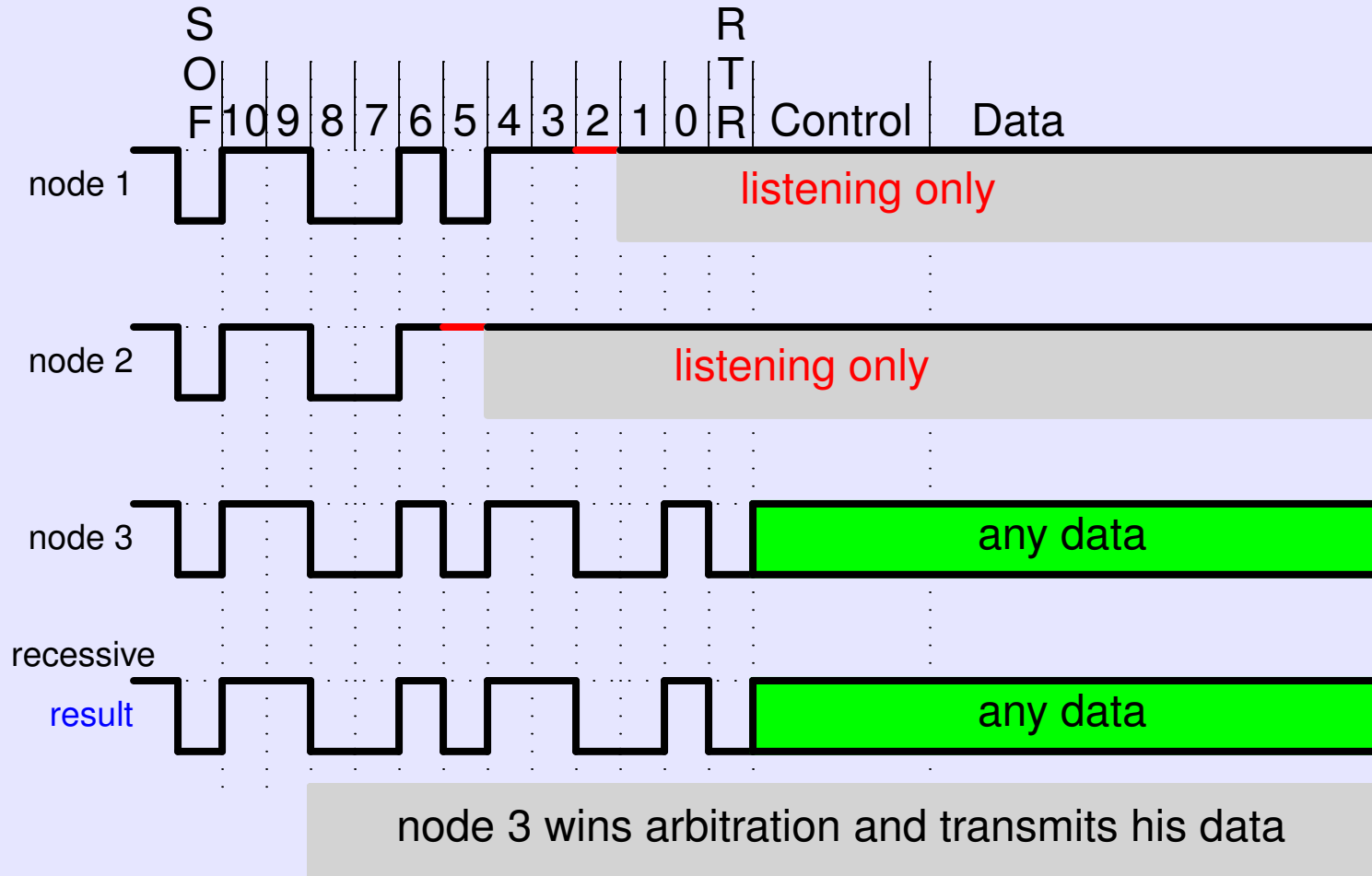
CAN Bus Arbitration Method



CAN Bus Arbitration Method



CAN Bus Arbitration Method



After loosing the arbitration, a node switches to "listen only" mode

